

the dynamic

Panther

Specification & Pricing Guide

version 2.01

1/1/2017



Table of Contents

Ordering Information

Ordering Information Checklist	4
--------------------------------------	---

Specifications Guide

Table Top Specifications	6
Table Size Specifications	6
Table Leg Specifications	6
Divider and Modesty Panel Specifications	7
Electrical / Power	7
Top Shapes	8
Bullet Top	8
Envelope Top	8
Game Top	8
Pod Top	8
Boat Top	8
Rectangle Top	9
Round Top	9
Trapezoid Top	9
Quad Top	9
LIAT Shipping Zones	10
Shipping Pricing Guide	10
Pricing Guide Tutorial	12

Shared Table

Boat Top Build Guide	16
Boat Top Pricing Guide	17
Bullet Top Build Guide	18
Bullet Top Pricing Guide	19
Envelope Top Build Guide	20
Envelope Top Pricing Guide	21
Game Top Build Guide	22
Game Top Pricing Guide	23
Pod Top Build Guide	24
Pod Top Pricing Guide	25
Quad Top Build Guide	26
Quad Top Pricing Guide	27
Rectangle Top Build Guide	28
Rectangle Top Pricing Guide	29

Round Top Build Guide.....	30
Round Top Pricing Guide.....	31
Trapezoid Top Build Guide	32
Trapezoid Top Pricing Guide	33
Marker Board Build Guide	34
Marker Board Pricing Guide	35

Accessories

Various.....	38
Wire Management	39
Add-On Power & Data.....	40

Terms and Conditions

Panther Terms and Conditions	42
GSA Terms and Conditions	44

Ordering Information

Ordering Information Checklist

Use this checklist to be sure you have all of the necessary information to order your Panther unit.

Catalog Number

Use our build guides to create your Panther catalog number.

PVC Edge Band

Amber Cherry | AC-PVC

Natural Teak | NT-PVC

Huntington Maple | HM-PVC

Kensington Maple | KM-PVC

Montana Walnut | MW-PVC

Versailles Anigre | VA-PVC

Cafelle | CA-PVC

Nepal Teak | NP-PVC

Windsor Mahogany | WM-PVC

Hampton Walnut | HW-PVC

Natural Oak | NO-PVC

Black | BK-PVC

Fashion Grey | FG-PVC

Frosty White | FW-PVC

North Sea | NS-PVC

Slate Grey | SG-PVC

Laminate Selection

Standard Wilsonart, Formica, Nevamar or Pionite. Please specify manufacturer, color, and model number.

Accessories

LIAT Finish Match Suggestions

LIAT Wood Finish	Laminate	PVC Edge
Amber Cherry on Maple ACM	Wilsonart Amber Cherry 7919K-60	Amber Cherry AC-PVC
Amber Maple on Maple AMM	Formica Natural Teak 8849-58	Natural Teak NT-PVC
Carmel Maple on Maple CMM	–	–
Dark Mahogany on Maple DMM	–	–
Light Cherry on Maple LCM	Wilsonart Huntington Maple 7929-60	Huntington Maple HM-PVC
Medium Cherry on Maple MCM	–	–
Medium Mahogany on Maple MMM	–	–
Medium Walnut on Maple MWM	–	–
Natural Maple on Maple NMM	Wilsonart Kensington Maple 10776-60	Kensington Maple KM-PVC
Montana Walnut on Maple OWM	Wilsonart Montana Walnut 7110K-60	Montana Walnut MW-PVC
Versailles Anigre on Maple VAM	Wilsonart Versailles Anigre 7923K-60**	Versailles Anigre VA-PVC
Dark Mahogany on Oak DMO	Wilsonart Cafelle 7933K-60**	Cafelle CA-PVC
Golden Oak on Oak GOO	Wilsonart Nepal Teak 7209K-60	Nepal Teak NP-PVC
Light Cherry on Oak LCO	–	–
Medium Oak on Oak MOO	–	–
Medium Cherry on Oak MCO	Wilsonart Windsor Mahogany 7039K-60	Windsor Mahogany WM-PVC
Medium Walnut on Oak MWO	Wilsonart Hampton Walnut 7959K-38**	Hampton Walnut HW-PVC
Medium Mahogany on Oak MMO	Pionite Jewel Mahogany WY351-N	–
Natural Oak on Oak NOO	Formica Natural Oak 346	Natural Oak NO-PVC
–	Wilsonart Black 1595-60	Black BK-PVC
–	Wilsonart Fashion Grey D381-60	Fashion Grey FG-PVC
–	Wilsonart Frosty White 1573-60	Frosty White FW-PVC
–	Wilsonart North Sea D90-60	North Sea NS-PVC
–	Wilsonart Slate Grey D91-60	Slate Grey SG-PVC

(–) a suggested match is not available.

**indicates premium pricing, please contact project management for more information.

Specifications Guide

Table Top Specifications

Top with PVC Edge

Tops - 1-1/8" thick, particle board core

Laminate - .050" thick high pressure laminate top surface and a phenolic backing sheet.

Edges - banded with a 3mm PVC edge band.

All corners shall be rounded

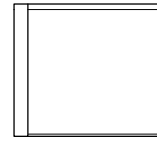


Table Size Specifications

Nominal Table Height

Height - 29".

Additional heights of 25" and 36" are available upon request.

Nominal Table Width

See specific sections for available table widths.

Width selection may vary from the actual overall footprint width.

Nominal Table Length

See specific sections for available table lengths.

Length selection may vary from the actual overall footprint length.

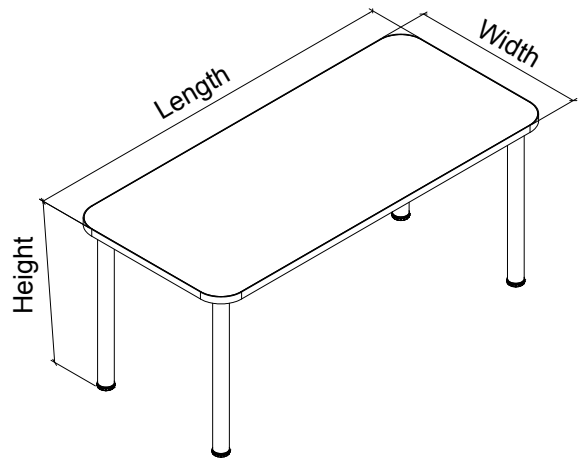


Table Leg Specifications

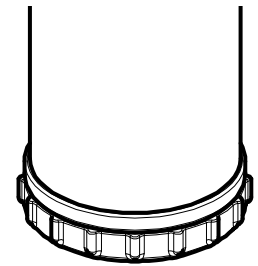
Standard Leg

The standard leg shall be constructed of a **60mm diameter** steel leg connected to a square steel mounting plate with an M10 bolt. The leg plate attaches to the top with **(8) #9 x 1" PPH screws**. Each standard leg shall be fitted with a **black 60mm diameter leveling glide** that provides **1" of height adjustment**.

Add **"-SG"** for Steel Gray

Add **"-TB"** for Textured Black

Available for 25" high, 29" high and 36" high tables.



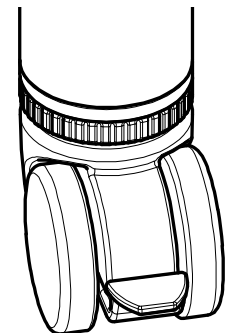
Mobile Leg

The mobile leg shall be constructed of a **60mm diameter** steel leg connected to a square steel mounting plate with an M10 bolt. The leg plate attaches to the top with **(8) #9 x 1" PPH screws**. Each mobile leg shall be fitted with a **black 60mm locking caster** that provides **1/2" of height adjustment**.

Add **"-SG"** for Steel Gray

Add **"-TB"** for Textured Black

Available for 29" high tables only



Spacer Leg

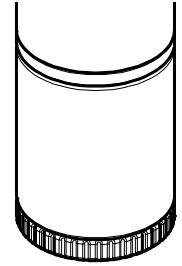
The spacer leg shall be constructed of a **60mm diameter** steel leg connected to a square steel mounting plate with an M10 bolt. The leg plate attaches to the top with **(8) #9 x 1" PPH screws**. Each spacer leg shall be fitted with a **black 60mm diameter spacer and leveling glide** at the same height of the mobile leg and provides **1/2" of height adjustment**.

Add **"-SG"** for Steel Gray

Add **"-TB"** for Textured Black

Available for 29" high tables only

Spacer legs are used in conjunction with mobile legs for tables to be "wheel barrowed".



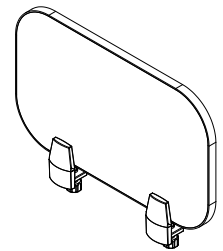
Divider and Modesty Panel Specifications

Marker Board Divider

The marker board divider shall be made of 3/4" thick, 3-ply particle board core construction with a .050" thick high pressure marker board laminate on both faces. **All corners shall be rounded**, and the edges shall be externally banded with a continuous black **3mm PVC edge band**.

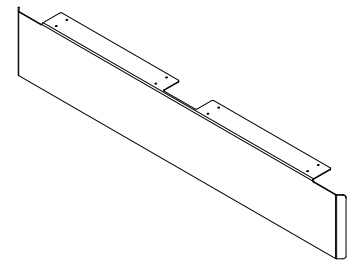
The dividers shall be removable and are captured in edge-mount clamps which attach to the top by means of a thumb screw underneath the surface.

Marker board dividers shall be placed on ends of tables to delineate space between users.



Modesty Panel

The modesty panel shall be formed from **12 gauge steel sheet metal and powder coated**. The folded panel shall extend past the legs with **45 degree flanges on either end**, and attach to the top by means of **(8) #14 x 1" PPH screws**.



Electrical / Power

Electrical / Power

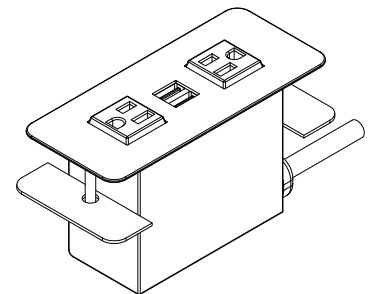
The standard built-in power upgrade option shall be an all metal flush clamp mounted power and charging solution with 2 power and 2 USB 2.1A charging ports and a 108" cord length, constructed with 12A, 120 VAC spill resistant receptacles.

Power units are available in:

Silver Pearl **(-PS)**

Gloss White **(-PW)**

Black Powder Coat **(-PB)**.

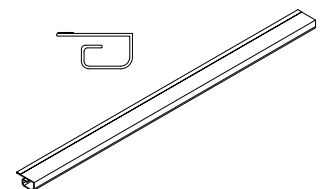


J-Wire Manager

All tables with a power upgrade are to come standard with one j-wire manager made of extruded plastic to hold wires.

The j-wire manager is shipped loose and comes with double sided tape to assist with placement in the field.

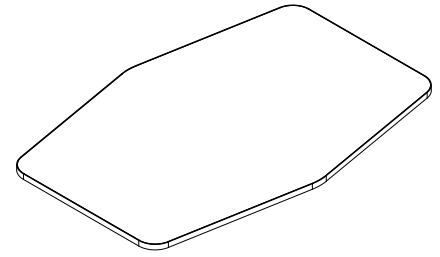
All j-wire managers must be installed with the included screws.



Specifications Guide

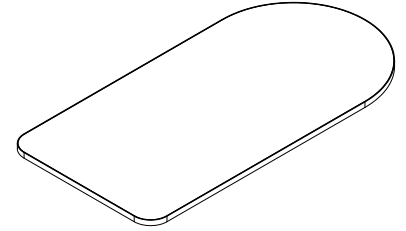
Top Shapes

	60"L	66"L	72"L	Power	Modesty		Steel Gray	T. Black	Mobile
24"W	•	•	•	C		25"H	•	•	
30"W	•	•	•	C		29"H	•	•	•
36"W	•	•	•	C		36"H	•	•	
42"W	•	•	•	C					



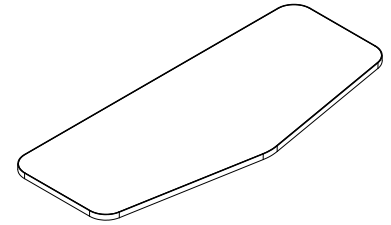
Boat Top

	48"L	60"L	66"L	72"L	Power	Modesty		Steel Gray	T. Black	Mobile
36"W	•	•	•	•	C		25"H	•	•	
42"W	•	•	•	•	C		29"H	•	•	•
48"W	•	•	•	•	C		36"H	•	•	



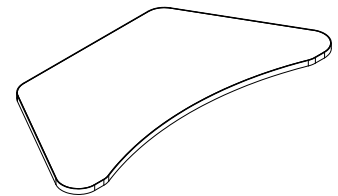
Bullet Top

	60"L	66"L	72"L	Power	Modesty		Steel Gray	T. Black	Mobile
21"W	•	•	•	B	•	25"H	•	•	
24"W	•	•	•	B	•	29"H	•	•	•
30"W	•	•	•	B	•	36"H	•	•	



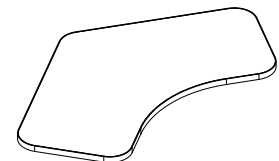
Envelope Top

	48"L	60"L	66"L	72"L	Power	Modesty		Steel Gray	T. Black	Mobile
30"W	•	•	•	•	B		25"H	•	•	
36"W	•	•	•	•	B		29"H	•	•	•
							36"H	•	•	



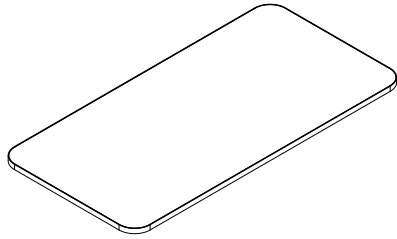
Game Top

	60"L	66"L	72"L	Power	Modesty		Steel Gray	T. Black	Mobile
21"W	•	•	•	B		25"H	•	•	
24"W	•	•	•	B		29"H	•	•	•
						36"H	•	•	



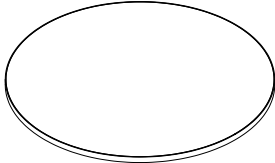
Pod Top

	36"L	48"L	60"L	66"L	72"L	Power	Modesty	Steel Gray	T. Black	Mobile
21"W	•	•	•	•	•	B	•	25"H	•	•
24"W	•	•	•	•	•	B	•	29"H	•	•
30"W	•	•	•	•	•	B	•	36"H	•	•
36"W	•	•	•	•	•	C				
42"W		•	•	•	•	C				
48"W		•	•	•	•	C				



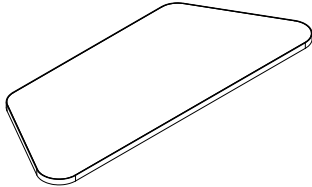
Rectangle Top

	42"L	48"L	54"L	60"L	Power	Modesty	Steel Gray	T. Black	Mobile
42"W	•				C		25"H	•	•
48"W		•			C		29"H	•	•
54"W			•		C		36"H	•	•
60"W				•	C				



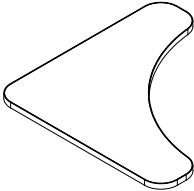
Round Top

	36"	48"	60"L	66"L	72"L	Power	Modesty	Steel Gray	T. Black	Mobile
24"W	•	•	•	•	•	B	•	25"H	•	•
30"W		•	•	•	•	B	•	29"H	•	•
36"W			•	•	•	B	•	36"H	•	•



Trapezoid Top

	30"L	36"L	42"L	Power	Modesty	Steel Gray	T. Black	Mobile
30"W	•					25"H	•	•
36"W		•		L		29"H	•	•
42"W			•	L		36"H	•	•



Quad Top

Power Locations

B - Back

C - Center

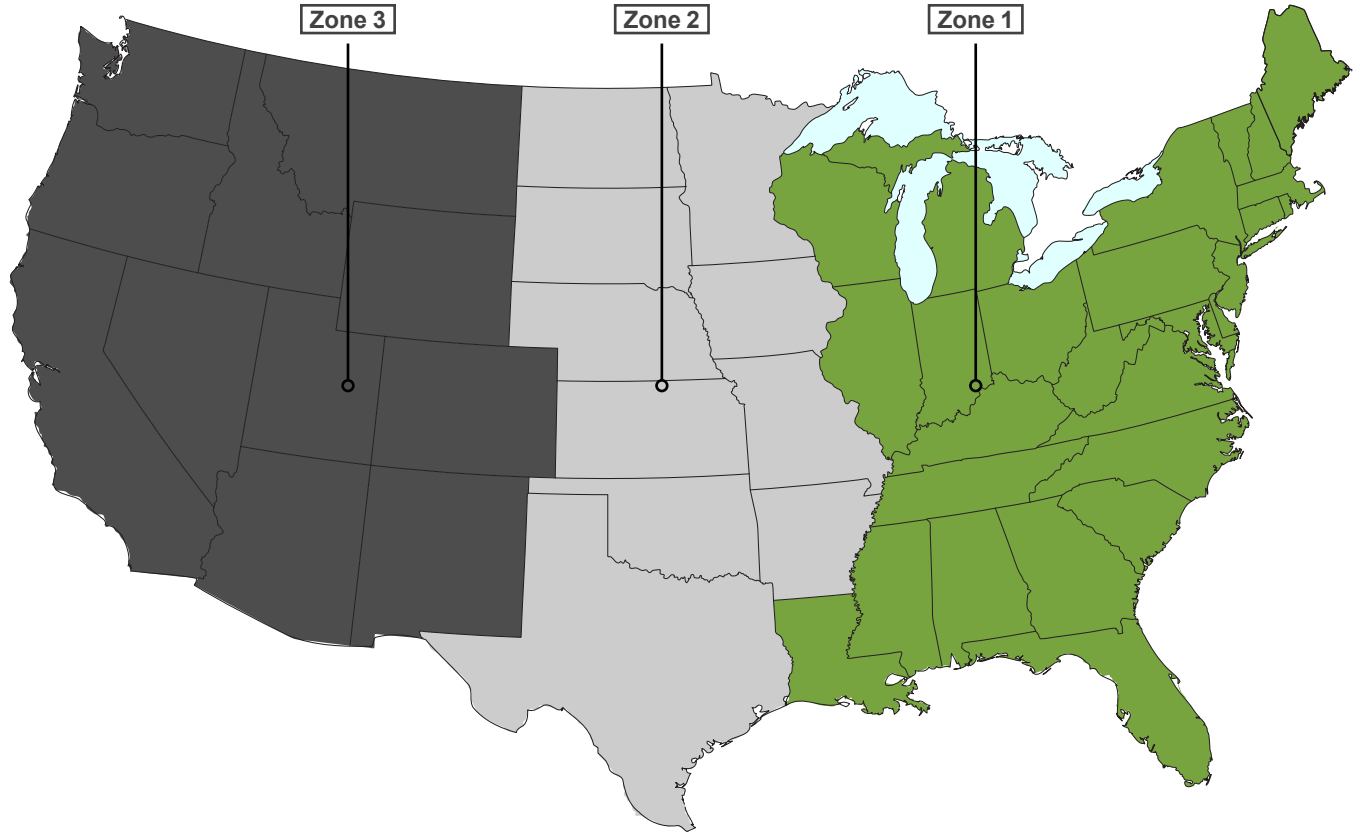
L - Left

LIAT Shipping Zones

Shipping | Pricing Guide

Use the following guide to **determine the delivered pricing** for your LIAT furniture product by **selecting your zone** from the map and reviewing the price changes for each zone. To **determine your list price**, add your prices from your selected furniture and then **add the shipping cost based on your designated zone**.

USA



- Zone 1** No extra cost
- Zone 2** Add 4% to the list price
- Zone 3** Add 7% to the list price

Zone 1 orders less than \$5,000 list will have a freight minimum fee of **\$375** list.

Zone 2 orders less than \$5,000 list will have a freight minimum fee of **\$375** list, plus **4%** of list

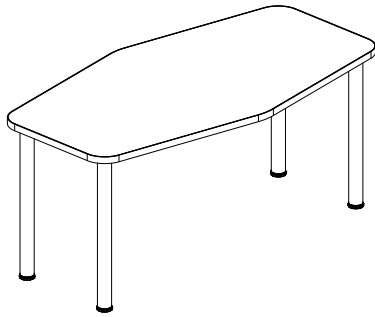
Zone 3 orders less than \$5,000 list will have a freight minimum fee of **\$375** list, plus **7%** of list

Hawaii, Alaska, and International

Note. This system does not apply to our international customers or those living in Alaska and Hawaii, **freight must be quoted separately for these orders.**



Example 1 Below \$5,000 list



PA-ST-2466A-29-SG

List Price - \$703

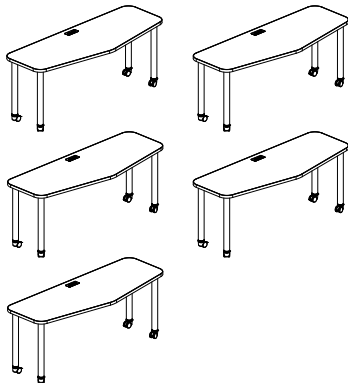
Nominal Size - 24" W x 66" L x 29" H

Actual Footprint - 32-5/16" W x 66" L x 29" H

Leg Color - Steel Gray

- **Zone 1** List Price: \$703 + \$375(flat fee) = **\$1,078**
- **Zone 2** List Price: \$703 + \$375(flat fee) + \$28(4% of list) = **\$1,106**
- **Zone 3** List Price: \$703 + \$375(flat fee) + \$49(7% of list) = **\$1,127**

Example 2 Above \$5,000 list



PA-ST-2172E-29-TB-4CA-PB (more than one)

List Price - \$5,169

Nominal Size - 21" W x 72" L x 29" H

Actual Footprint - 27-3/16" W x 72" L x 29" H

Leg Color - Textured Black

Mobile Legs - 4 Casters

Power - Cove (Black Powder Coat)

By ordering more than one table a price higher than \$5,000 is created, eliminating the flat fee.

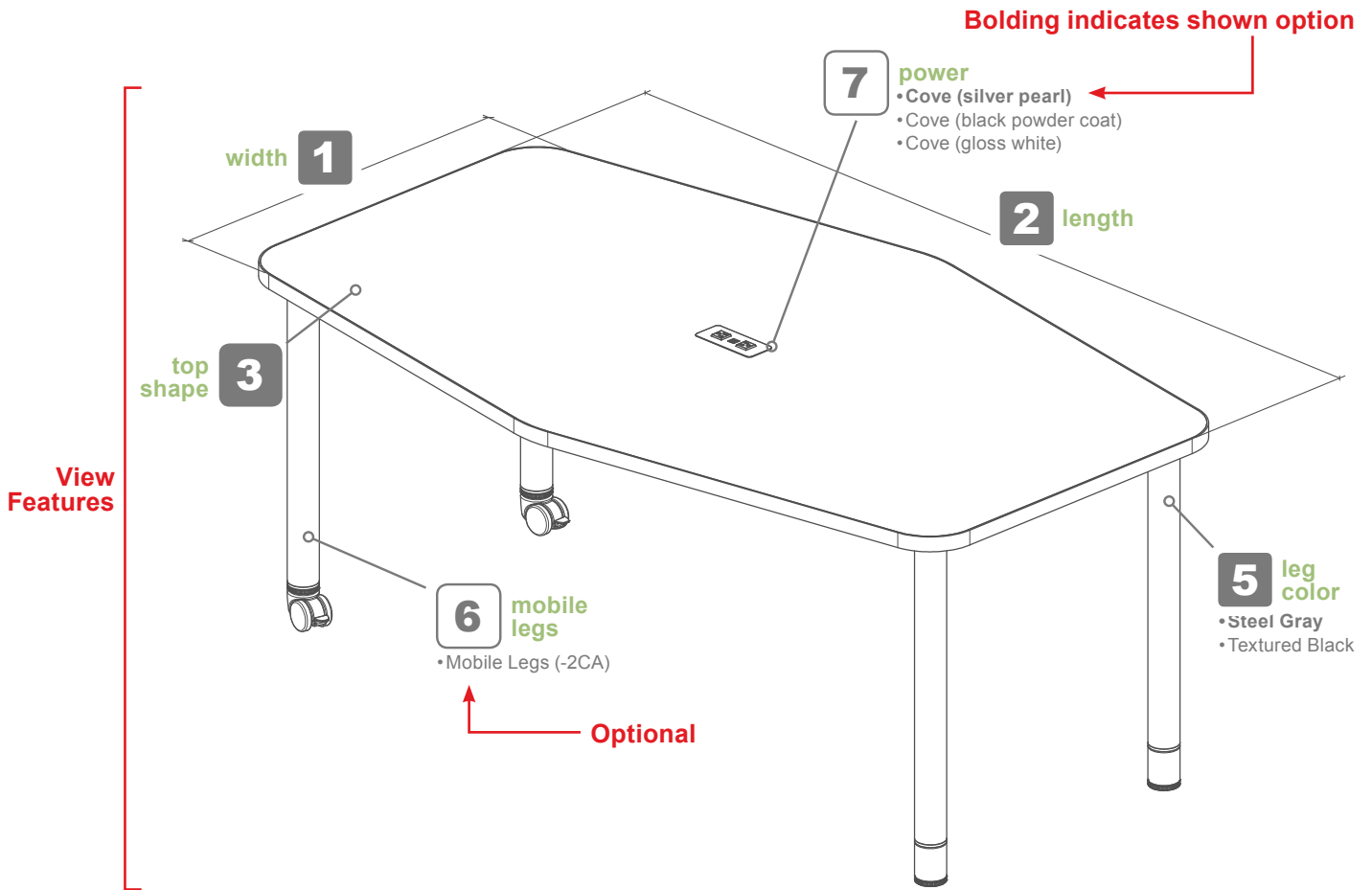
- **Zone 1** List Price: \$5,169 = **\$5,169**
- **Zone 2** List Price: \$5,169 + \$206(4% of list) = **\$5,375**
- **Zone 3** List Price: \$5,169 + \$361(7% of list) = **\$5,530**

***LIAT product is shipped knocked down (KD). Assembly in the field is required.**

Pricing Guide Tutorial

How to use this pricing guide

These pages are a guide on how to build and customize your *Panther* table using this specification and pricing guide.



Unit Shown PA-ST-3072A-29-SG-2CA-PS

Shown options creating a unique product code

List Price: \$1,187

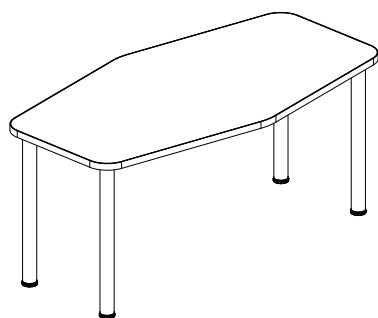
Price of unit shown

To compare various combinations, use price chart

Required Selections						
Component	Code	Description	24" Wide	30" Wide	36" Wide	42" Wide
1 Width	24	24" Wide Boat Top Table	\$0	-	-	-
	30	30" Wide Boat Top Table	-	\$0	-	-
	36	36" Wide Boat Top Table	-	-	\$0	-
	42	42" Wide Boat Top Table	-	-	-	\$0
2 Length	60	60" Long Boat Top Table	\$711	\$723	\$731	\$771
	66	66" Long Boat Top Table	\$723	\$731	\$743	\$800
	72	72" Long Boat Top Table	\$743	\$751	\$771	\$820
3 Top Shape	A	Boat Top	\$0	\$0	\$0	\$0
4 Height	26	26" High Table	\$0	\$0	\$0	\$0
	29	29" High Table	\$0	\$0	\$0	\$0
	36	36" High Table	\$65	\$65	\$65	\$65
5 Leg Color	SG	Steel Gray	\$0	\$0	\$0	\$0
	TB	Textured Black	\$0	\$0	\$0	\$0
Available Upgrades						
Component	Code	Description	24" Wide	30" Wide	36" Wide	42" Wide
6 Mobile Legs	-2CA	2 Casters/2 Spacers	\$73	\$73	\$73	\$73
	-4CA	4 Casters	\$81	\$81	\$81	\$81
-Casters only available on 29" high units						
7 Power	-PS	Cove - Silver Pearl	\$363	\$363	\$363	\$363
	-PB	Cove - Black Powder Coat	\$363	\$363	\$363	\$363
	-PW	Cove - Gloss White	\$363	\$363	\$363	\$363
-2 Power / 2 USB charging unit included with 108" Cord						

PA-ST-3072A-29-SG-2CA-PS

\$1,168



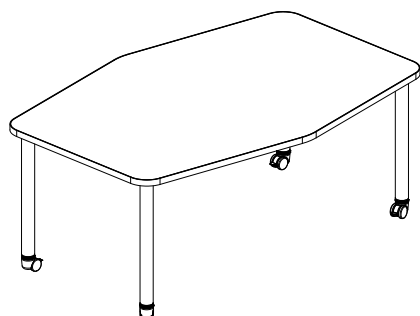
PA-ST-2466A-29-SG

List Price - \$723

Nominal Size - 24" W x 66" L x 29" H

Actual Footprint - 32-5/16" W x 66" L x 29" H

Leg Color - Steel Gray



PA-ST-3672A-29-TB-4CA

List Price - \$852

Nominal Size - 36" W x 72" L x 29" H

Actual Footprint - 48-5/16" W x 72" L x 29" H

Leg Color - Textured Black

Mobile Legs - 4 Casters

Shared Table

together or separate, always be productive



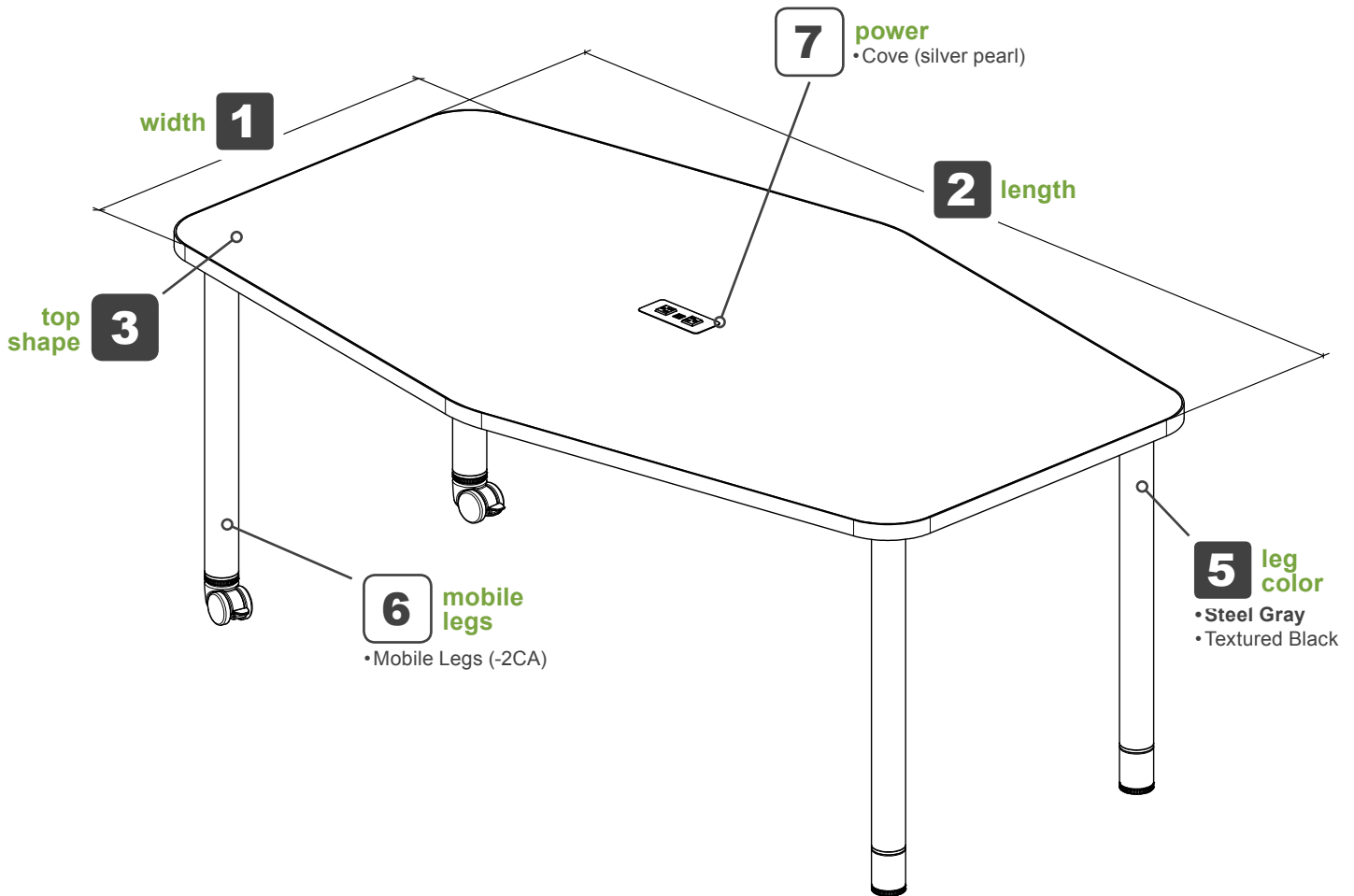
Panther Shared Table

Boat Top | Build Guide

Use the following guide to **determine the catalog number** for your Panther Shared Table by **selecting your choice** from the available options. To **determine your list price**, add all prices for your selected items from the table to the right.

PA - ST - **1** **2** **3** **4** **5**

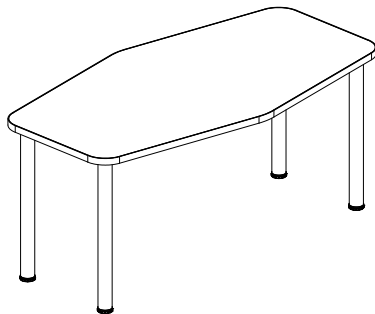
width length top shape height leg color



Unit Shown PA-ST-3072A-29-SG-2CA-PS

List Price \$1,187

Required Selections							
Component	Code	Description	24" Wide	30" Wide	36" Wide	42" Wide	
1 Width	24	24" Wide Boat Top Table	\$0	-	-	-	
	30	30" Wide Boat Top Table	-	\$0	-	-	
	36	36" Wide Boat Top Table	-	-	\$0	-	
	42	42" Wide Boat Top Table	-	-	-	\$0	
2 Length	60	60" Long Boat Top Table	\$711	\$723	\$731	\$771	
	66	66" Long Boat Top Table	\$723	\$731	\$743	\$800	
	72	72" Long Boat Top Table	\$743	\$751	\$771	\$820	
3 Top Shape	A	Boat Top	\$0	\$0	\$0	\$0	
4 Height	26	26" High Table	\$0	\$0	\$0	\$0	
	29	29" High Table	\$0	\$0	\$0	\$0	
	36	36" High Table	\$65	\$65	\$65	\$65	
5 Leg Color	SG	Steel Gray	\$0	\$0	\$0	\$0	
	TB	Textured Black	\$0	\$0	\$0	\$0	
Available Upgrades							
Component	Code	Description	24" Wide	30" Wide	36" Wide	42" Wide	
6 Mobile Legs	-2CA	2 Casters/2 Spacers	\$73	\$73	\$73	\$73	
	-4CA	4 Casters	\$81	\$81	\$81	\$81	
-Casters only available on 29" high units							
7 Power	-PS	Cove - Silver Pearl	\$363	\$363	\$363	\$363	
	-PB	Cove - Black Powder Coat	\$363	\$363	\$363	\$363	
	-PW	Cove - Gloss White	\$363	\$363	\$363	\$363	
-2 Power / 2 USB charging unit included with 108" Cord							



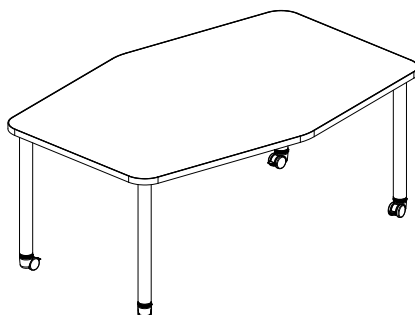
PA-ST-2466A-29-SG

List Price - \$723

Nominal Size - 24" W x 66" L x 29" H

Actual Footprint - 32-5/16" W x 66" L x 29" H

Leg Color - Steel Gray



PA-ST-3672A-29-TB-4CA

List Price - \$852

Nominal Size - 36" W x 72" L x 29" H

Actual Footprint - 48-5/16" W x 72" L x 29" H

Leg Color - Textured Black

Mobile Legs - 4 Casters

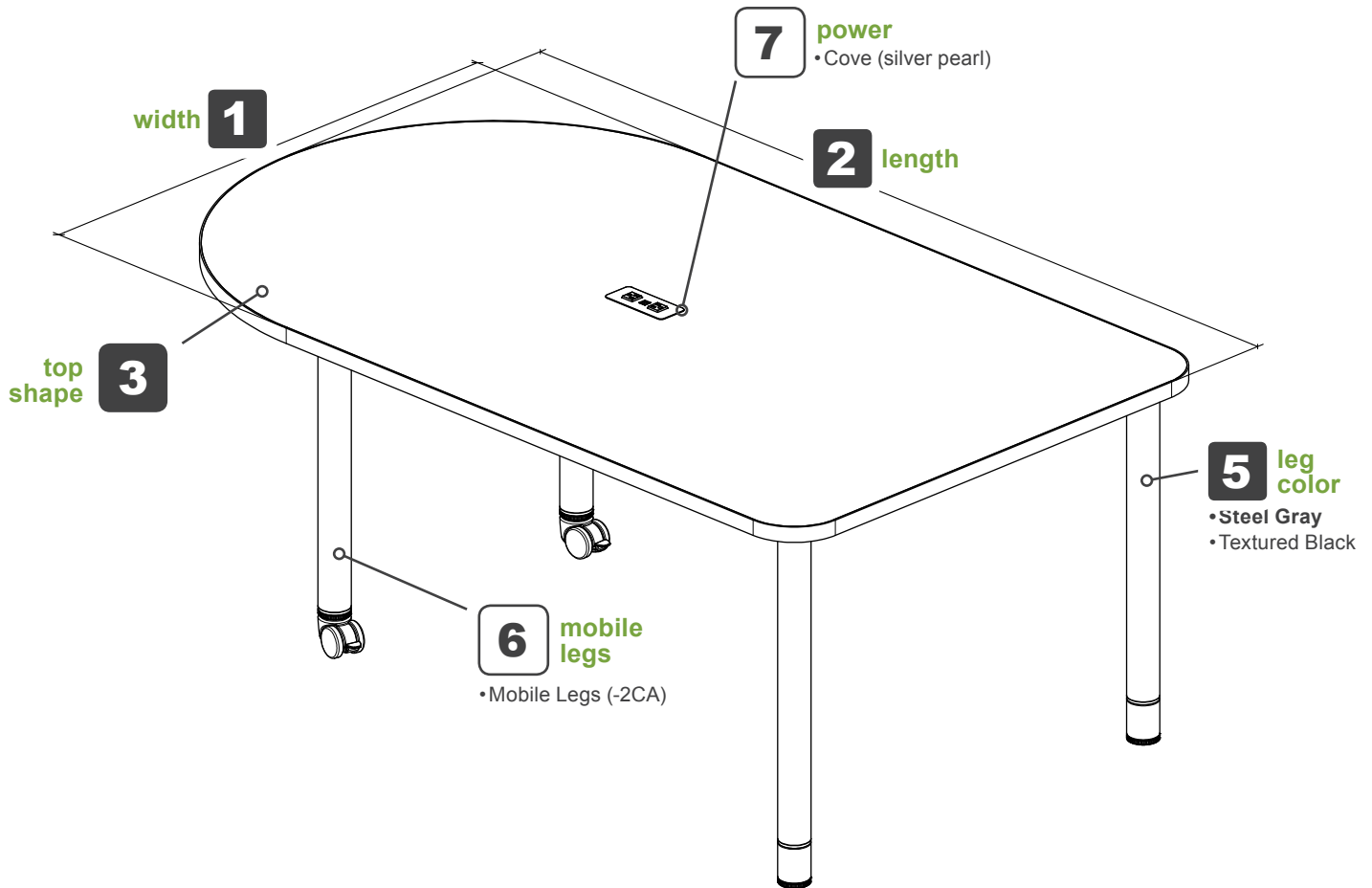
Panther Shared Table

Bullet Top | Build Guide

Use the following guide to **determine the catalog number** for your Panther Shared Table by **selecting your choice** from the available options. To **determine your list price**, add all prices for your selected items from the table to the right.

PA - ST - **1** **2** **3** **4** **5**

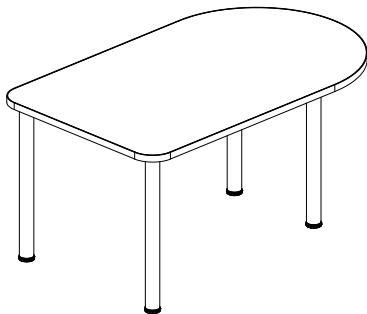
width length top shape height leg color



Unit Shown PA-ST-4272B-29-SG-2CA-PS

List Price \$1,187

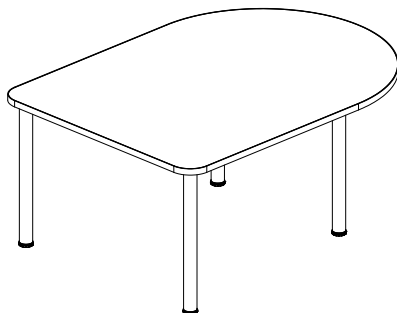
Required Selections						
Component	Code	Description	36" Wide	42" Wide	48" Wide	
1 Width	36	36" Wide Bullet Top Table	\$0	-	-	
	42	42" Wide Bullet Top Table	-	\$0	-	
	48	48" Wide Bullet Top Table	-	-	\$0	
2 Length	48	48" Long Bullet Top Table	\$537	\$582	\$606	
	60	60" Long Bullet Top Table	\$711	\$723	\$731	
	66	66" Long Bullet Top Table	\$723	\$731	\$743	
	72	72" Long Bullet Top Table	\$743	\$751	\$763	
3 Top Shape	B	Bullet Top	\$0	\$0	\$0	
4 Height	26	26" High Table	\$0	\$0	\$0	
	29	29" High Table	\$0	\$0	\$0	
	36	36" High Table	\$65	\$65	\$65	
5 Leg Color	SG	Steel Gray	\$0	\$0	\$0	
	TB	Textured Black	\$0	\$0	\$0	
Available Upgrades						
Component	Code	Description	36" Wide	42" Wide	48" Wide	
6 Mobile Legs	-2CA	2 Casters/2 Spacers	\$73	\$73	\$73	
	-4CA	4 Casters	\$81	\$81	\$81	
-Casters only available on 29" high units						
7 Power	-PS	Cove - Silver Pearl	\$363	\$363	\$363	
	-PB	Cove - Black Powder Coat	\$363	\$363	\$363	
	-PW	Cove - Gloss White	\$363	\$363	\$363	
-2 Power / 2 USB charging unit included with 108" Cord						



PA-ST-3660B-29-SG

List Price - \$711

Nominal Size - 36" W x 60" L x 29" H
 Actual Footprint - 36" W x 60" L x 29" H
 Leg Color - Steel Gray



PA-ST-4866B-29-TB

List Price - \$743

Nominal Size - 48" W x 66" L x 29" H
 Actual Footprint - 48" W x 66" L x 29" H
 Leg Color - Textured Black

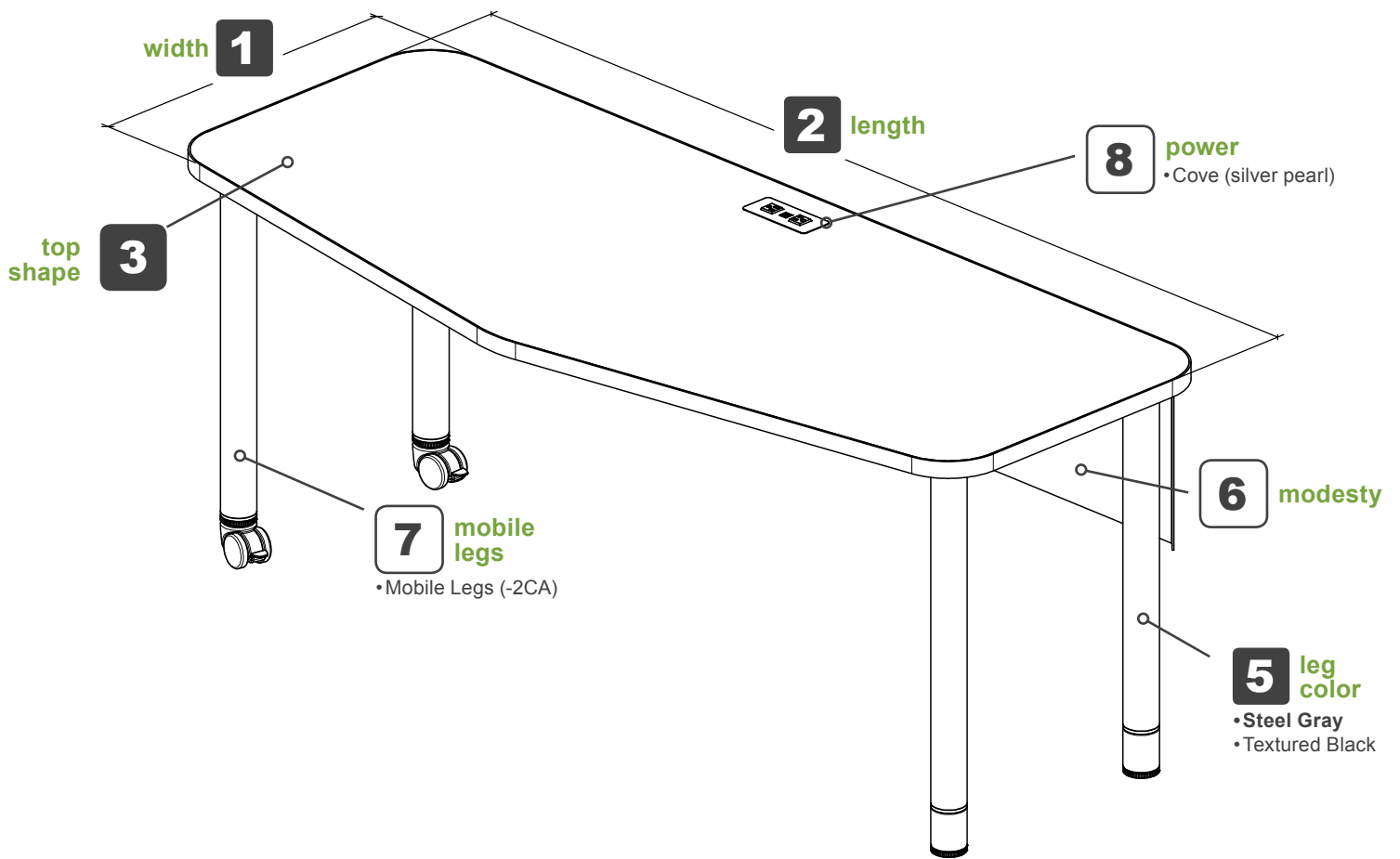
Panther Shared Table

Envelope Top | Build Guide

Use the following guide to **determine the catalog number** for your Panther Shared Table by **selecting your choice** from the available options. To **determine your list price**, add all prices for your selected items from the table to the right.

PA - ST - **1** **2** **3** - **4** - **5**

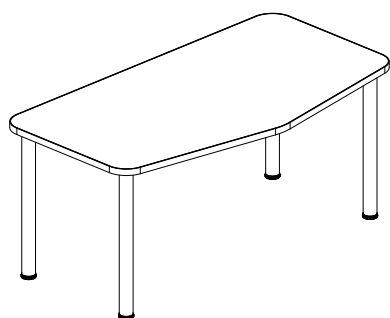
width length top shape height leg color



Unit Shown PA-ST-2472E-29-SG-MPS-2CA-PS

List Price \$1,434

Required Selections						
Component	Code	Description	21" Wide	24" Wide	30" Wide	
1 Width	21	21" Wide Envelope Top Table	\$0	-	-	
	24	24" Wide Envelope Top Table	-	\$0	-	
	30	30" Wide Envelope Top Table	-	-	\$0	
2 Length	60	60" Long Envelope Top Table	\$533	\$553	\$711	
	66	66" Long Envelope Top Table	\$586	\$606	\$723	
	72	72" Long Envelope Top Table	\$606	\$626	\$743	
3 Top Shape	E	Envelope Top	\$0	\$0	\$0	
4 Height	26	26" High Table	\$0	\$0	\$0	
	29	29" High Table	\$0	\$0	\$0	
	36	36" High Table	\$65	\$65	\$65	
5 Leg Color	SG	Steel Gray	\$0	\$0	\$0	
	TB	Textured Black	\$0	\$0	\$0	
Available Upgrades						
Component	Code	Description	60" Long	66" Long	72" Long	
6 Modesty	-MPS	Modesty Panel - Steel Gray	\$323	\$372	\$380	
	-MPB	Modesty Panel - Textured Black	\$323	\$372	\$380	
	-MPW	Modesty Panel - White	\$323	\$372	\$380	
7 Mobile Legs	-2CA	2 Casters/2 Spacers	\$73	\$73	\$73	
	-4CA	4 Casters	\$81	\$81	\$81	
-Casters only available on 29" high units						
8 Power	-PS	Cove - Silver Pearl	\$363	\$363	\$363	
	-PB	Cove - Black Powder Coat	\$363	\$363	\$363	
	-PW	Cove - Gloss White	\$363	\$363	\$363	
-2 Power / 2 USB charging unit included with 108" Cord						



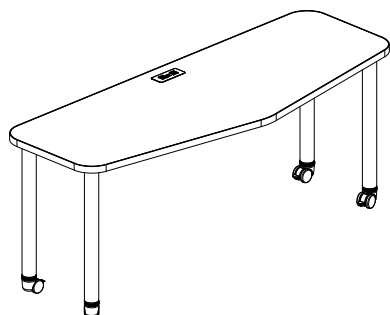
PA-ST-3066E-29-SG

List Price - \$723

Nominal Size - 30" W x 66" L x 29" H

Actual Footprint - 35-5/8" W x 66" L x 29" H

Leg Color - Steel Gray



PA-ST-2172E-29-TB-4CA-PB

List Price - \$1,050

Nominal Size - 21" W x 72" L x 29" H

Actual Footprint - 27-3/16" W x 72" L x 29" H

Leg Color - Textured Black

Mobile Legs - 4 Casters

Power - Cove (Black Powder Coat)

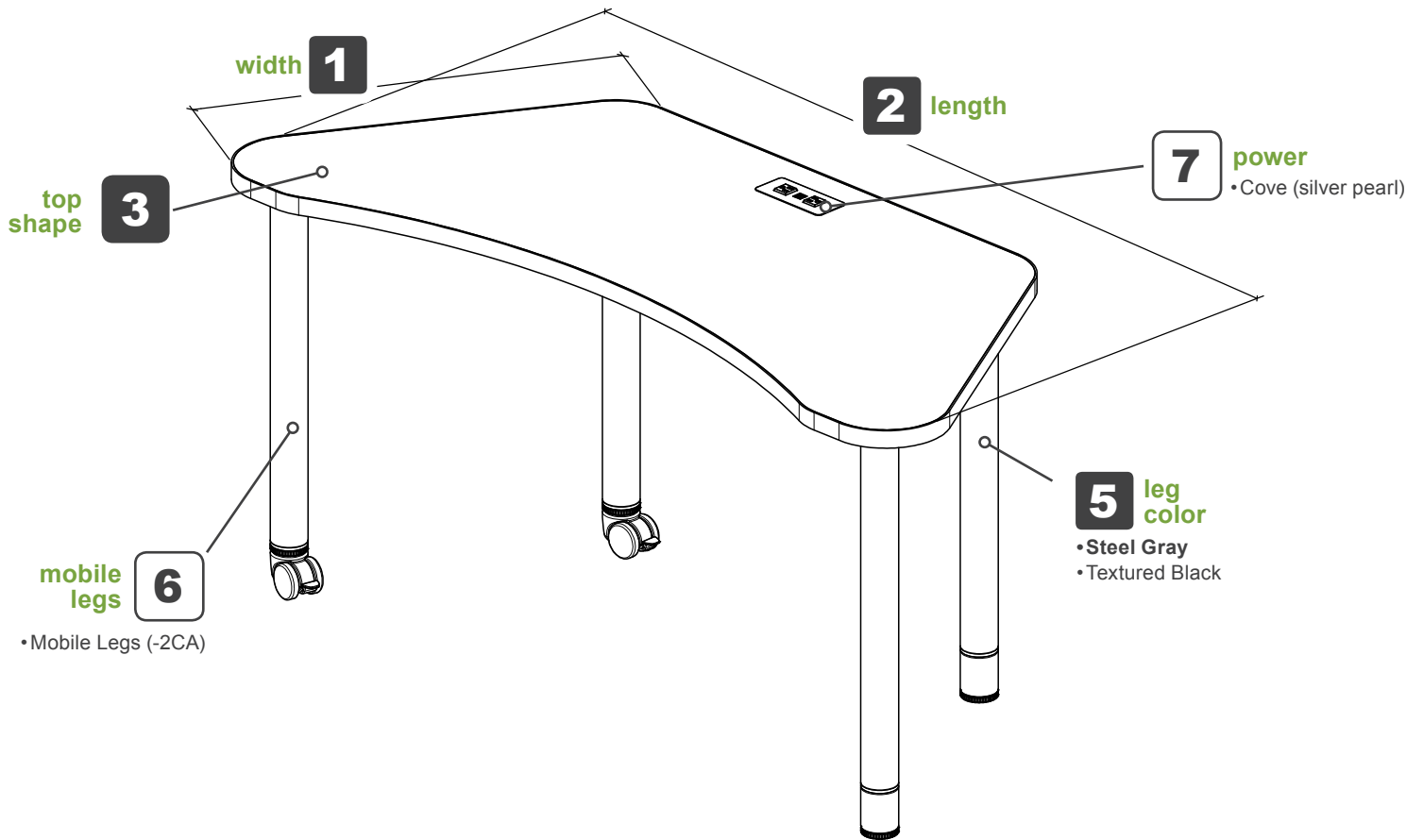
Panther Shared Table

Game Top | Build Guide

Use the following guide to **determine the catalog number** for your Panther Shared Table by **selecting your choice** from the available options. To **determine your list price**, add all prices for your selected items from the table to the right.

PA - ST - **1** **2** **3** - **4** - **5**

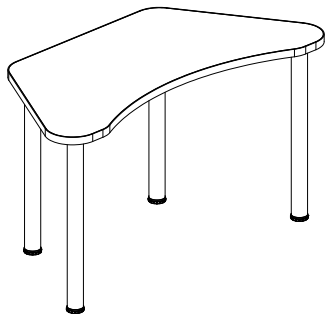
width length top shape height leg color



Unit Shown PA-ST-3066G-29-SG-2CA-PS

List Price \$1,022

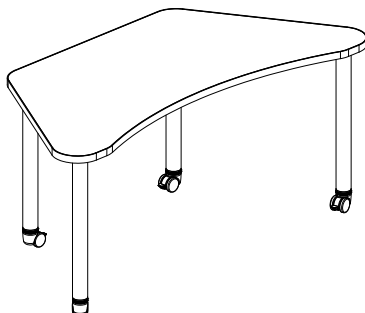
Required Selections					
Component	Code	Description	30" Wide	36" Wide	
1 Width	30	30" Wide Game Top Table	\$0	-	
	36	36" Wide Game Top Table	-	\$0	
2 Length	48	48" Long Game Top Table	\$481	-	
	60	60" Long Game Top Table	\$533	-	
	66	66" Long Game Top Table	\$586	\$723	
	72	72" Long Game Top Table	\$606	\$731	
3 Top Shape	G	Game Top	\$0	\$0	
4 Height	26	26" High Table	\$0	\$0	
	29	29" High Table	\$0	\$0	
	36	36" High Table	\$65	\$65	
5 Leg Color	SG	Steel Gray	\$0	\$0	
	TB	Textured Black	\$0	\$0	
Available Upgrades					
Component	Code	Description	30" Wide	36" Wide	
6 Mobile Legs	-2CA	2 Casters/2 Spacers	\$73	\$73	
	-4CA	4 Casters	\$81	\$81	
-Casters only available on 29" high units					
7 Power	-PS	Cove - Silver Pearl	\$363	\$363	
	-PB	Cove - Black Powder Coat	\$363	\$363	
	-PW	Cove - Gloss White	\$363	\$363	
-2 Power / 2 USB charging unit included with 108" Cord					



PA-ST-3060G-29-SG

List Price - \$533

Nominal Size - 30" W x 60" L x 29" H
Actual Footprint - 26" W x 54-1/8" L x 29" H
Leg Color - Steel Gray



PA-ST-3672G-29-TB-4CA

List Price - \$812

Nominal Size - 36" W x 72" L x 29" H
Actual Footprint - 31-3/16" W x 66-1/8" L x 29" H
Leg Color - Textured Black
Mobile Legs - 4 Casters

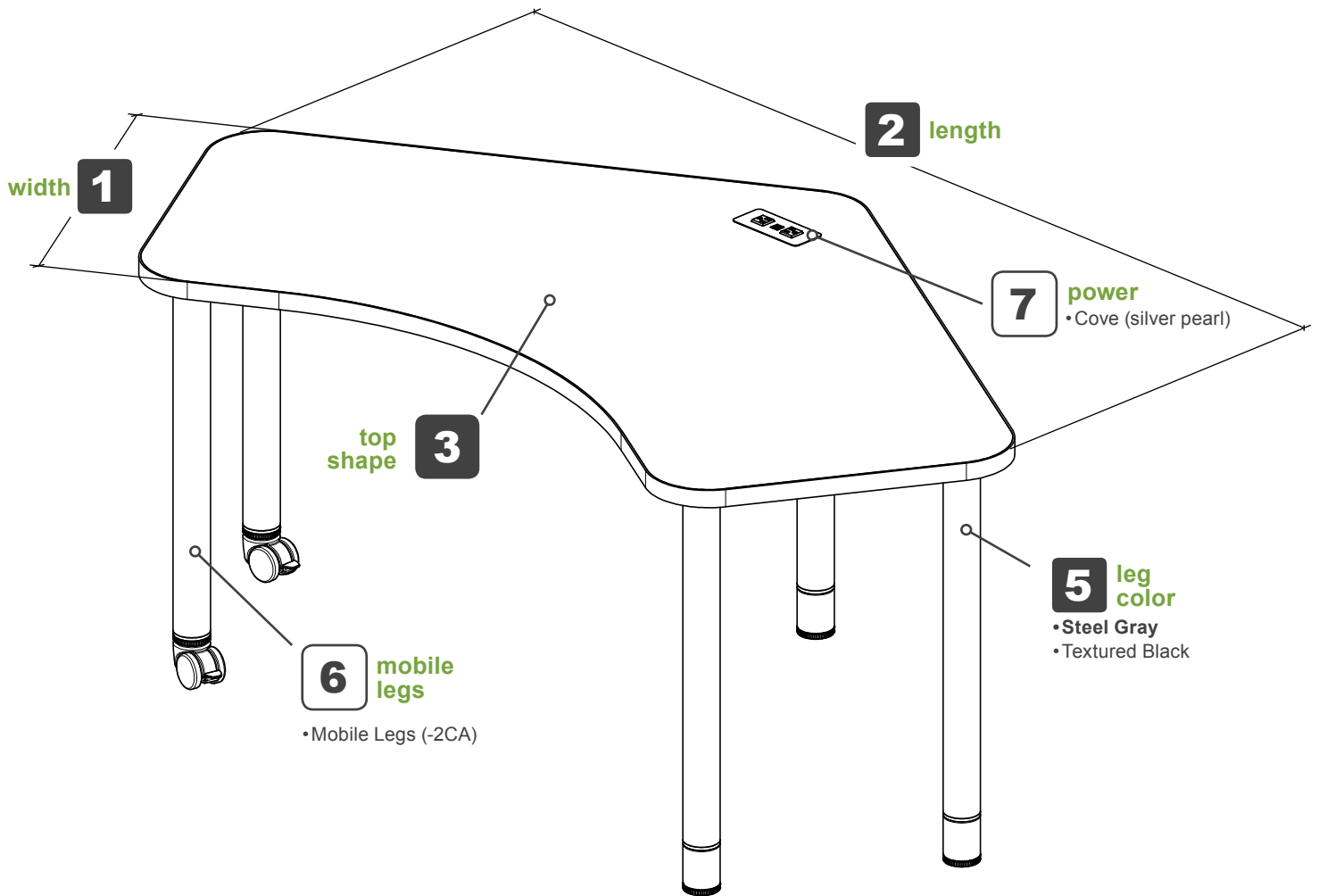
Panther Shared Table

Pod Top | Build Guide

Use the following guide to **determine the catalog number** for your Panther Shared Table by **selecting your choice** from the available options. To **determine your list price**, add all prices for your selected items from the table to the right.

PA - ST - **1** **2** **3** **4** **5**

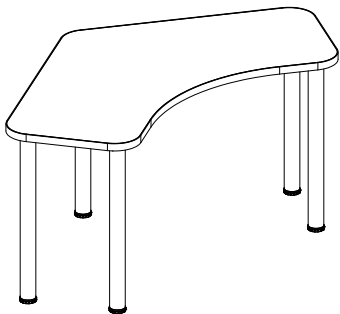
width length top shape height leg color



Unit Shown PA-ST-2472P-29-SG-2CA-PS

List Price \$1,260

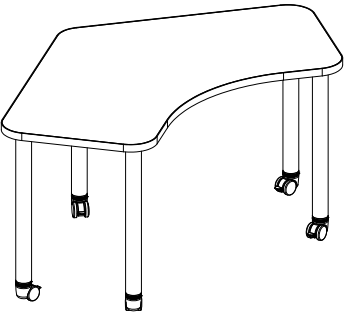
Required Selections					
Component	Code	Description	21" Wide	24" Wide	
1 Width	21	21" Wide Pod Top Table	\$0	-	
	24	24" Wide Pod Top Table	-	\$0	
2 Length	60	60" Long Pod Top Table	\$747	\$759	
	66	66" Long Pod Top Table	\$767	\$788	
	72	72" Long Pod Top Table	\$788	\$808	
3 Top Shape	P	Pod Top	\$0	\$0	
4 Height	26	26" High Table	\$0	\$0	
	29	29" High Table	\$0	\$0	
	36	36" High Table	\$81	\$81	
5 Leg Color	SG	Steel Gray	\$0	\$0	
	TB	Textured Black	\$0	\$0	
Available Upgrades					
Component	Code	Description	21" Wide	24" Wide	
6 Mobile Legs	-2CA	2 Casters/3 Spacers	\$89	\$89	
	-5CA	5 Casters	\$101	\$101	
-Casters only available on 29" high units					
7 Power	-PS	Cove - Silver Pearl	\$363	\$363	
	-PB	Cove - Black Powder Coat	\$363	\$363	
	-PW	Cove - Gloss White	\$363	\$363	
-2 Power / 2 USB charging unit included with 108" Cord					



PA-ST-2166P-29-SG

List Price - \$767

Nominal Size - 21" W x 66" L x 29" H
Actual Footprint - 35-1/8" W x 62-15/16" L x 29" H
Leg Color - Steel Gray



PA-ST-2466P-29-TB-5CA

List Price - \$889

Nominal Size - 24" W x 66" L x 29" H
Actual Footprint - 37-11/16" W x 62-15/16" L x 29" H
Leg Color - Textured Black
Mobile Legs - 5 Casters

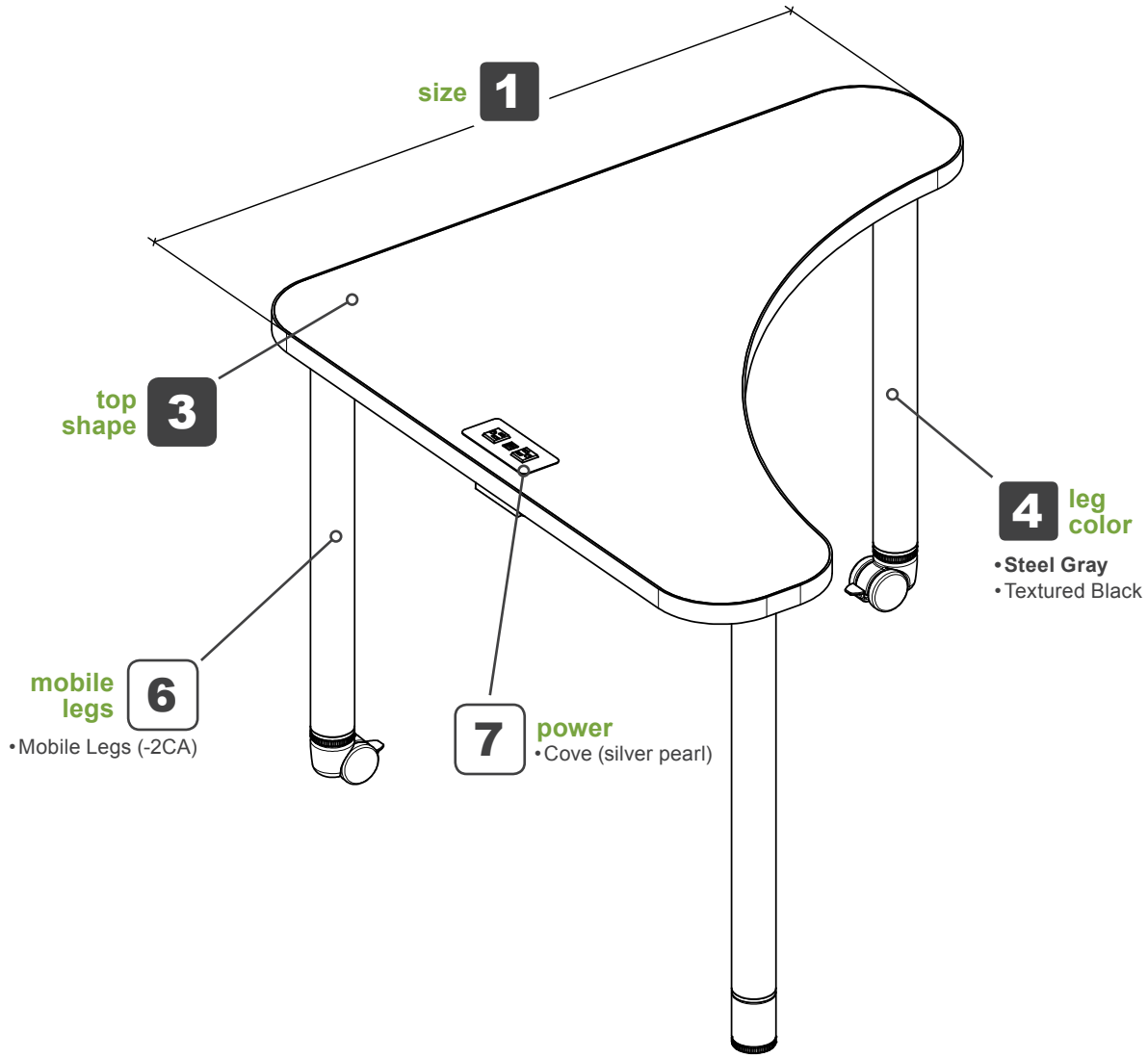
Panther Shared Table

Quad Top | Build Guide

Use the following guide to **determine the catalog number** for your Panther Shared Table by **selecting your choice** from the available options. To **determine your list price**, add all prices for your selected items from the table to the right.

PA - **ST** - **1** - **2** - **3** - **4**

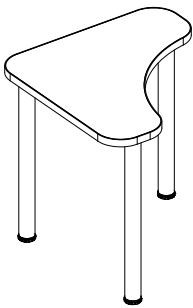
size top shape height leg color



Unit Shown PA-ST-42Q-29-SG-2CA-PS

List Price \$945

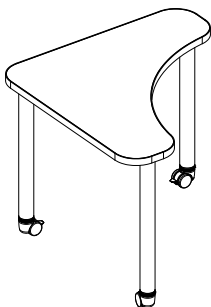
Required Selections					
Component	Code	Description	30" Long	36" Long	42" Long
1 Size	30	30" Wide Quad Top Table	\$485	-	-
	36	36" Wide Quad Top Table	-	\$505	-
	42	42" Wide Quad Top Table	-	-	\$525
2 Top Shape	Q	Quad Top	\$0	\$0	\$0
3 Height	26	26" High Table	\$0	\$0	\$0
	29	29" High Table	\$0	\$0	\$0
	36	36" High Table	\$48	\$48	\$48
4 Leg Color	SG	Steel Gray	\$0	\$0	\$0
	TB	Textured Black	\$0	\$0	\$0
Available Upgrades					
Component	Code	Description	30" Long	36" Long	42" Long
5 Mobile Legs	-2CA	2 Casters/1 Spacer	\$57	\$57	\$57
	-3CA	3 Casters	\$61	\$61	\$61
-Casters only available on 29" high units					
6 Power	-PS	Cove - Silver Pearl	\$363	\$363	\$363
	-PB	Cove - Black Powder Coat	\$363	\$363	\$363
	-PW	Cove - Gloss White	\$363	\$363	\$363
-2 Power / 2 USB charging unit included with 108" Cord					



PA-ST-30Q-29-TB

List Price - \$485

Nominal Size - 30" W x 29" H
Actual Footprint - 30" W x 29" H
Leg Color - Textured Black



PA-ST-36Q-29-SG-3CA

List Price - \$566

Nominal Size - 36" W x 29" H
Actual Footprint - 36" W x 29" H
Leg Color - Steel Gray
Mobile Legs - 3 Casters

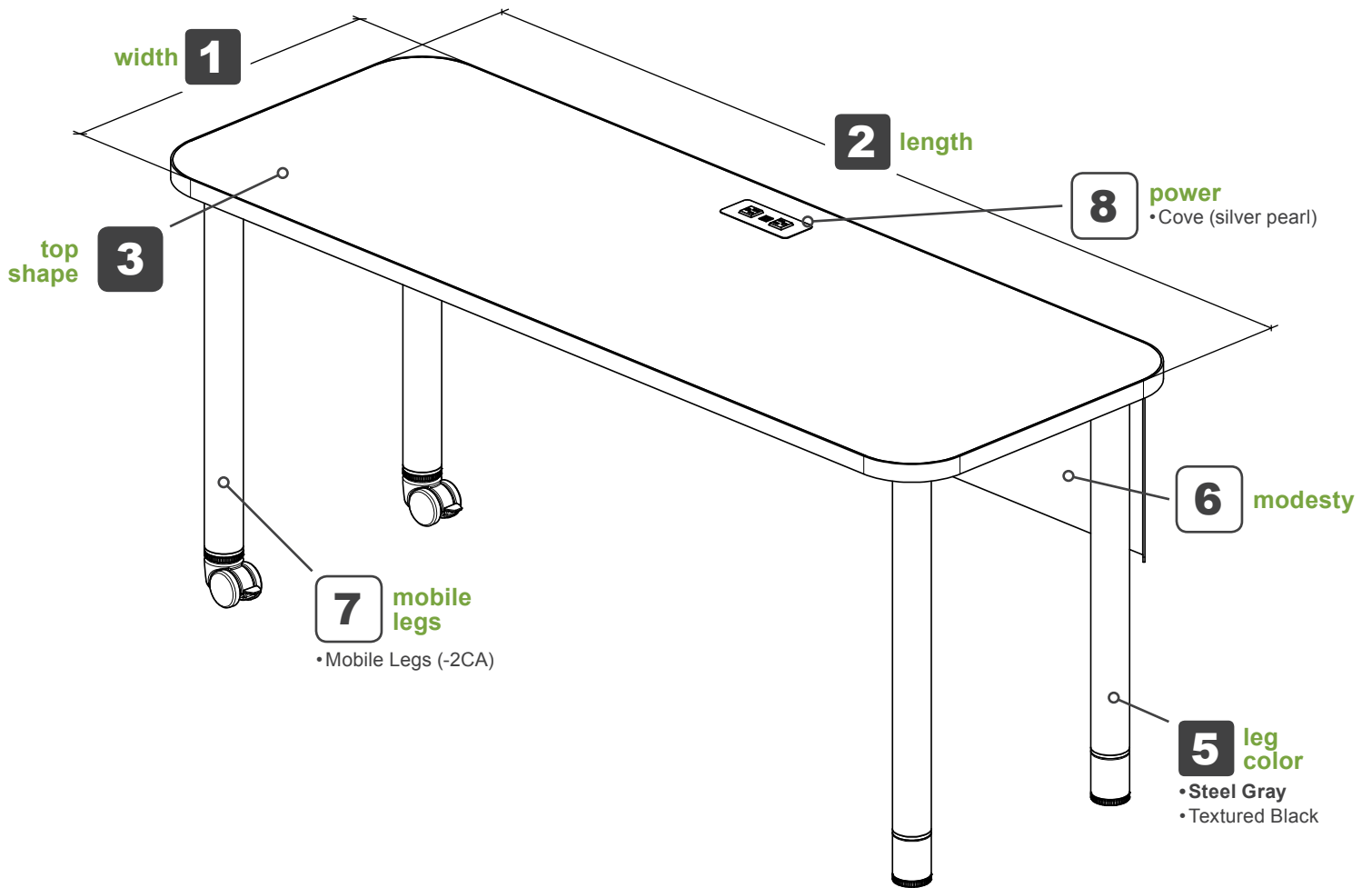
Panther Shared Table

Rectangle Top | Build Guide

Use the following guide to **determine the catalog number** for your Panther Shared Table by **selecting your choice** from the available options. To **determine your list price**, add all prices for your selected items from the table to the right.

PA - ST - **1** **2** **3** - **4** - **5**

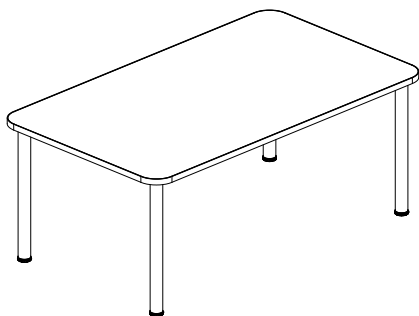
width length top shape height leg color



Unit Shown PA-ST-2466R-29-SG-MPS-2CA-PS

List Price \$1,369

Required Selections								
Component	Code	Description	36" Long	48" Long	60" Long	66" Long	72" Long	
1	Width	21	21" Wide Rectangle Top	\$432	\$452	\$529	\$541	\$553
		24	24" Wide Rectangle Top	\$452	\$473	\$553	\$561	\$578
		30	30" Wide Rectangle Top	\$468	\$493	\$573	\$586	\$598
		36	36" Wide Rectangle Top	\$529	\$537	\$711	\$723	\$743
		42	42" Wide Rectangle Top	-	\$582	\$731	\$743	\$763
		48	48" Wide Rectangle Top	-	\$606	\$751	\$763	\$779
2	Length	36	36" Long Rectangle Top	\$0	-	-	-	-
		48	48" Long Rectangle Top	-	\$0	-	-	-
		60	60" Long Rectangle Top	-	-	\$0	-	-
		66	66" Long Rectangle Top	-	-	-	\$0	-
		72	72" Long Rectangle Top	-	-	-	-	\$0
3	Top Shape	R	Rectangle Top	\$0	\$0	\$0	\$0	\$0
4	Height	26	26" High Table	\$0	\$0	\$0	\$0	\$0
		29	29" High Table	\$0	\$0	\$0	\$0	\$0
		36	36" High Table	\$65	\$65	\$65	\$65	\$65
5	Leg Color	SG	Steel Gray	\$0	\$0	\$0	\$0	\$0
		TB	Textured Black	\$0	\$0	\$0	\$0	\$0
Available Upgrades								
Component	Code	Description	36" Long	48" Long	60" Long	66" Long	72" Long	
6	Modesty	-MPS	Modesty Panel - Steel Gray	\$307	\$315	\$323	\$372	\$380
		-MPB	Modesty Panel - Textured Black	\$307	\$315	\$323	\$372	\$380
		-MPW	Modesty Panel - White	\$307	\$315	\$323	\$372	\$380
		- Modesty Panels not available on units over 30" wide						
7	Mobile Legs	-2CA	2 Casters/2 Spacers	\$73	\$73	\$73	\$73	\$73
		-4CA	4 Casters	\$81	\$81	\$81	\$81	\$81
-Casters only available on 29" high units								
8	Power	-PS	Cove - Silver Pearl	\$363	\$363	\$363	\$363	\$363
		-PB	Cove - Black Powder Coat	\$363	\$363	\$363	\$363	\$363
		-PW	Cove - Gloss White	\$363	\$363	\$363	\$363	\$363
-2 Power / 2 USB charging unit included with 108" Cord								



PA-ST-4272R-29-TB

List Price - \$763

Nominal Size - 42" W x 72" L x 29" H

Actual Footprint - 42" W x 72" L x 29" H

Leg Color - Textured Black

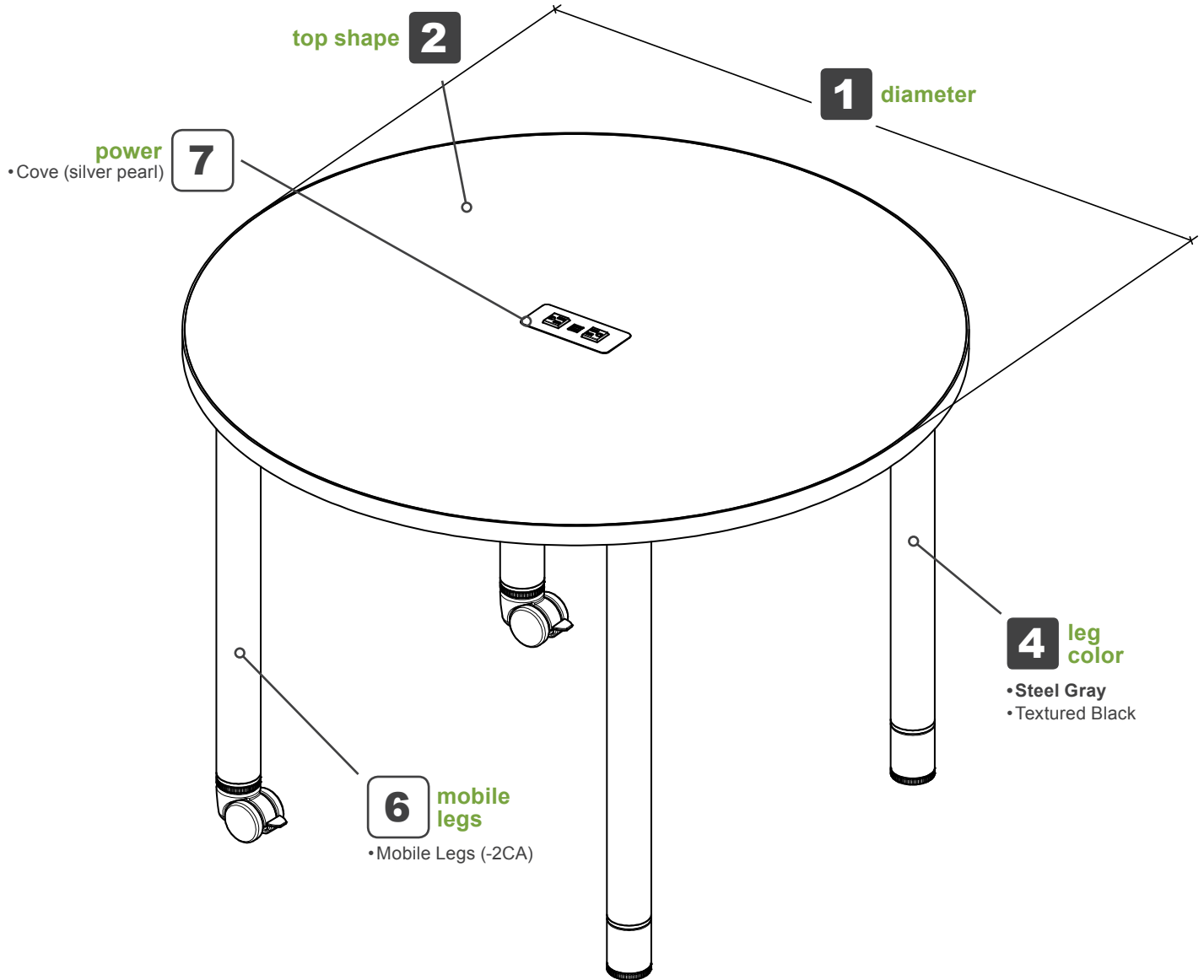
Panther Shared Table

Round Top | Build Guide

Use the following guide to **determine the catalog number** for your Panther Shared Table by **selecting your choice** from the available options. To **determine your list price**, add all prices for your selected items from the table to the right.

PA - **ST** - **1** - **2** - **3** - **4**

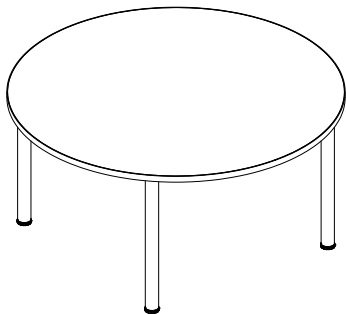
diameter top shape height leg color



Unit Shown PA-ST-42D-29-SG-2CA-PS

List Price \$973

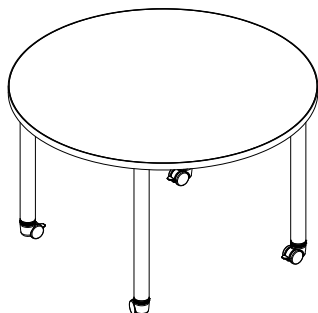
Required Selections							
Component	Code	Description	42" Dia	48" Dia	54" Dia	60" Dia	
1 Diameter	42	42" Dia Round Top Table	\$537	-	-	-	
	48	48" Dia Round Top Table	-	\$582	-	-	
	54	54" Dia Round Top Table	-	-	\$731	-	
	60	60" Dia Round Top Table	-	-	-	\$751	
2 Top Shape	D	Round Top	\$0	\$0	\$0	\$0	
3 Height	26	26" High Table	\$0	\$0	\$0	\$0	
	29	29" High Table	\$0	\$0	\$0	\$0	
	36	36" High Table	\$65	\$65	\$65	\$65	
4 Leg Color	SG	Steel Gray	\$0	\$0	\$0	\$0	
	TB	Textured Black	\$0	\$0	\$0	\$0	
Available Upgrades							
Component	Code	Description	42" Dia	48" Dia	54" Dia	60" Dia	
5 Mobile Legs	-2CA	2 Casters/2 Spacers	\$73	\$73	\$73	\$73	
	-4CA	4 Casters	\$81	\$81	\$81	\$81	
-Casters only available on 29" high units							
6 Power	-PS	Cove - Silver Pearl	\$363	\$363	\$363	\$363	
	-PB	Cove - Black Powder Coat	\$363	\$363	\$363	\$363	
	-PW	Cove - Gloss White	\$363	\$363	\$363	\$363	
-2 Power / 2 USB charging unit included with 108" Cord							



PA-ST-60D-29-SG

List Price - \$751

Nominal Size - 60" Dia x 29" H
Actual Footprint - 60" Dia x 29" H
Leg Color - Steel Gray



PA-ST-48D-29-SG-4CA

List Price - \$663

Nominal Size - 48" Dia x 29" H
Actual Footprint - 48" Dia x 29" H
Leg Color - Steel Gray
Mobile Legs - 4 Casters

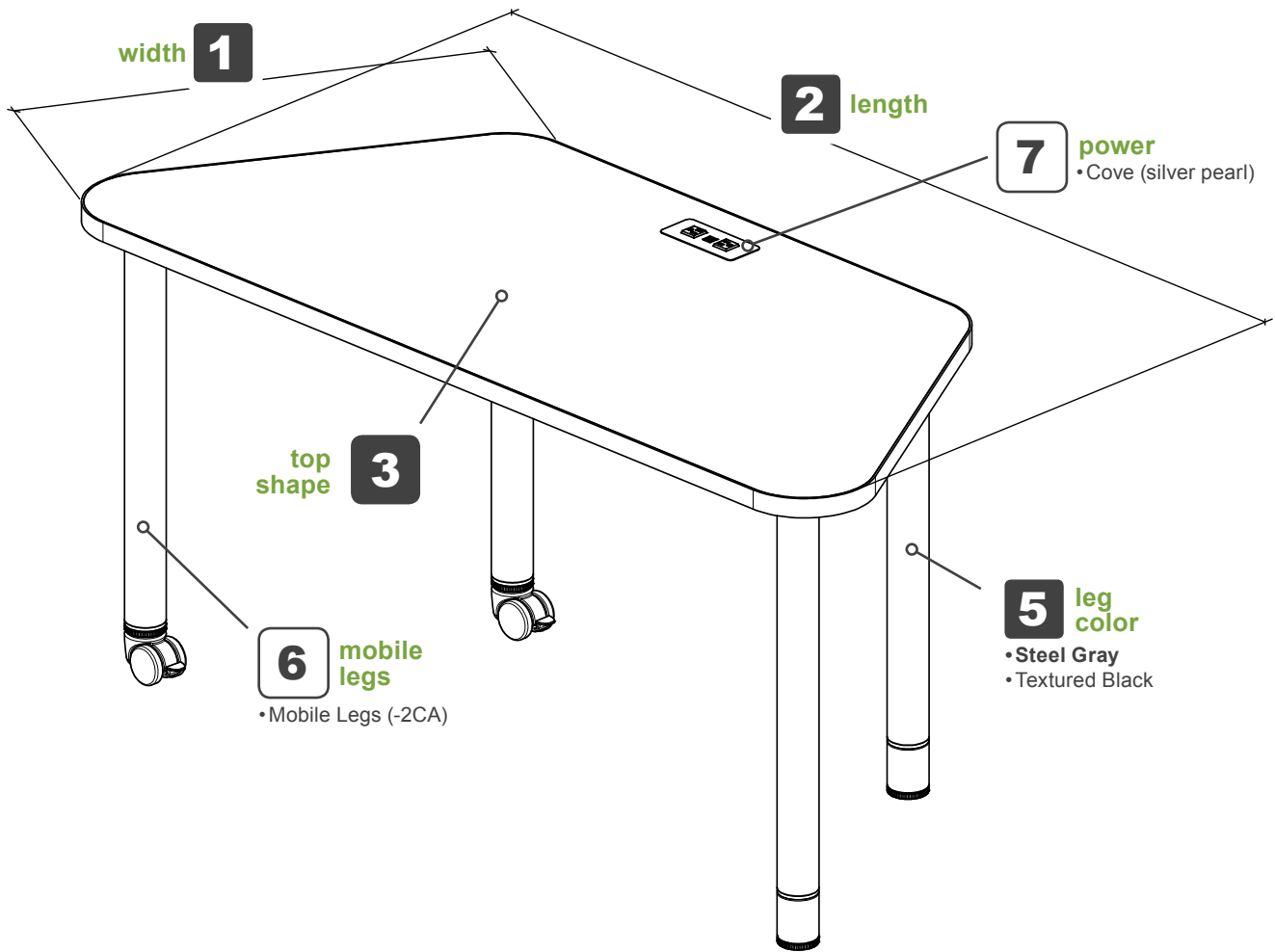
Panther Shared Table

Trapezoid Top | Build Guide

Use the following guide to **determine the catalog number** for your Panther Shared Table by **selecting your choice** from the available options. To **determine your list price**, add all prices for your selected items from the table to the right.

PA - ST - **1** **2** **3** **4** **5**

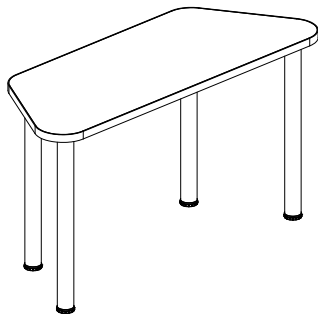
width length top shape height leg color



Unit Shown PA-ST-3066T-29-SG-2CA-PS

List Price \$1,022

Required Selections						
Component	Code	Description	24" Wide	30" Wide	36" Wide	
1 Width	24	24" Wide Trapezoid Top Table	\$0	-	-	
	30	30" Wide Trapezoid Top Table	-	\$0	-	
	36	36" Wide Trapezoid Top Table	-	-	\$0	
2 Length	36	36" Long Trapezoid Top Table	\$432	-	-	
	48	48" Long Trapezoid Top Table	\$456	\$481	-	
	60	60" Long Trapezoid Top Table	\$529	\$541	\$711	
	66	66" Long Trapezoid Top Table	\$541	\$586	\$723	
	72	72" Long Trapezoid Top Table	\$561	\$606	\$743	
3 Top Shape	T	Trapezoid Top	\$0	\$0	\$0	
4 Height	26	26" High Table	\$0	\$0	\$0	
	29	29" High Table	\$0	\$0	\$0	
	36	36" High Table	\$65	\$65	\$65	
5 Leg Color	SG	Steel Gray	\$0	\$0	\$0	
	TB	Textured Black	\$0	\$0	\$0	
Available Upgrades						
Component	Code	Description	24" Wide	30" Wide	36" Wide	
6 Mobile Legs	-2CA	2 Casters/2 Spacers	\$73	\$73	\$73	
	-4CA	4 Casters	\$81	\$81	\$81	
-Casters only available on 29" high units						
7 Power	-PS	Cove - Silver Pearl	\$363	\$363	\$363	
	-PB	Cove - Black Powder Coat	\$363	\$363	\$363	
	-PW	Cove - Gloss White	\$363	\$363	\$363	
-2 Power / 2 USB charging unit included with 108" Cord						



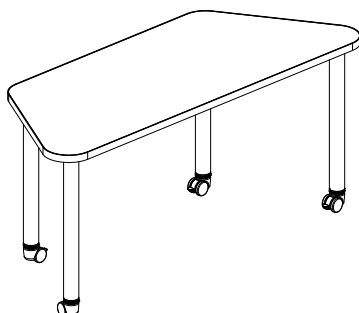
PA-ST-2460T-29-SG

List Price - \$529

Nominal Size - 24" W x 60" L x 29" H

Actual Footprint - 20-13/16" W x 54-1/8" L x 29" H

Leg Color - Steel Gray



PA-ST-3072T-29-TB-4CA

List Price - \$687

Nominal Size - 30" W x 72" L x 29" H

Actual Footprint - 26" W x 66-1/8" L x 29" H

Leg Color - Textured Black

Mobile Legs - 4 Casters

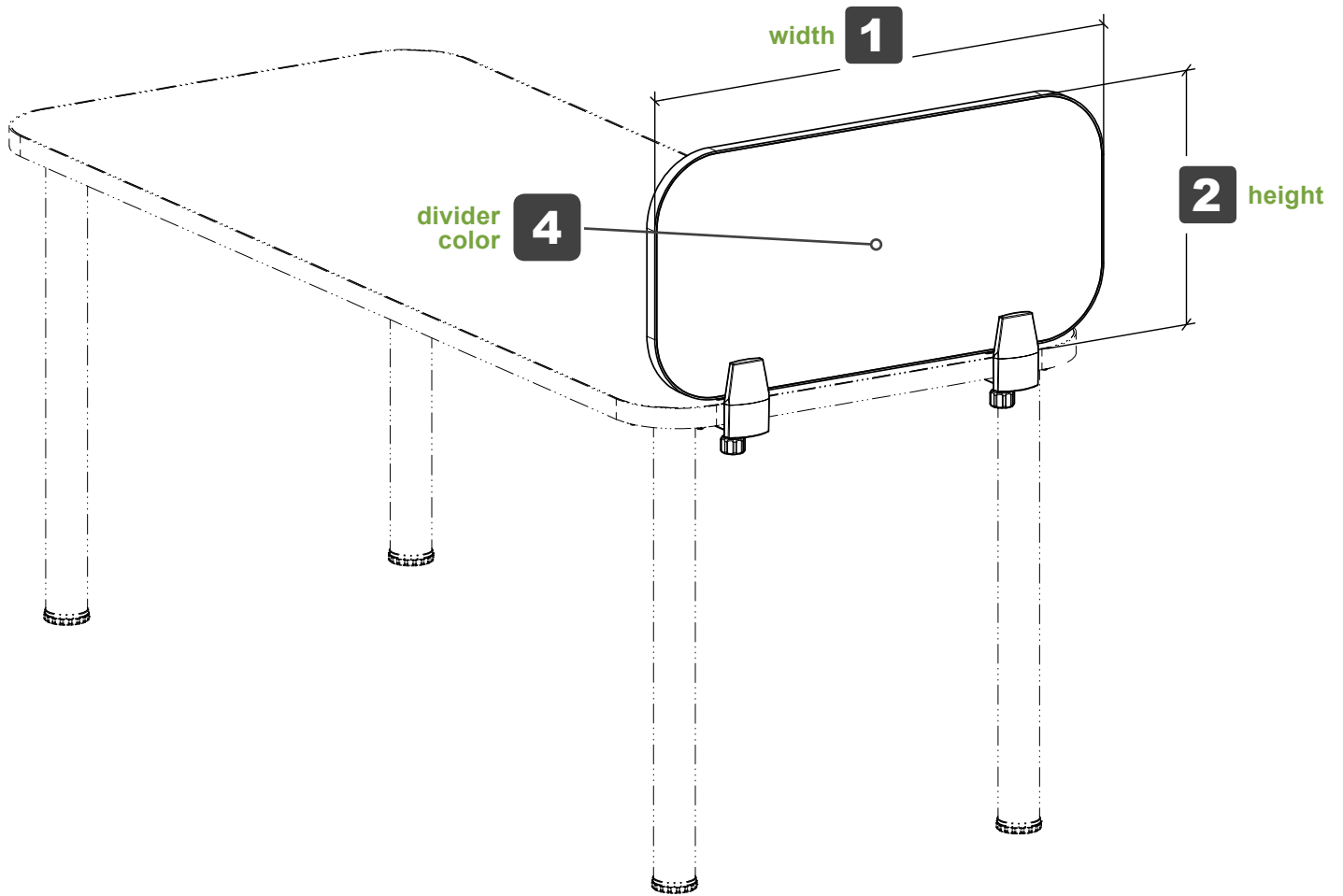
Panther Shared Table

Marker Board | Build Guide

Use the following guide to **determine the catalog number** for your Panther Shared Table by **selecting your choice** from the available options. To **determine your list price**, add all prices for your selected items from the table to the right.

PA - ST - **1** **2** **3** - **4**

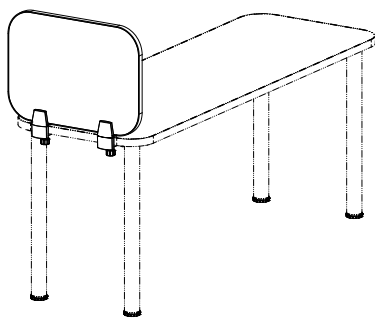
width height divider type divider color



Unit Shown PA-ST-3015-MD-WH

List Price \$355

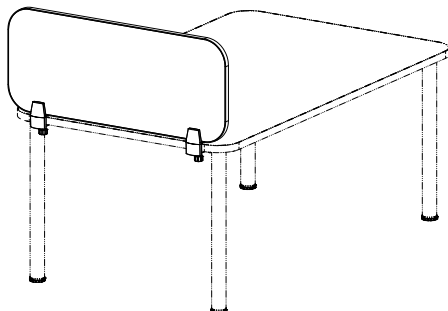
Required Selections						
Component	Code	Description	12" High	15" High	18" High	
1 Width	21	21" Wide Marker Board Divider	\$315	\$331	\$347	
	24	24" Wide Marker Board Divider	\$323	\$339	\$355	
	30	30" Wide Marker Board Divider	\$331	\$355	\$396	
	36	36" Wide Marker Board Divider	\$347	\$396	\$477	
	42	42" Wide Marker Board Divider	\$355	\$404	\$485	
	48	48" Wide Marker Board Divider	\$363	\$412	\$493	
2 Height	12	12" High Marker Board Divider	\$0	-	-	
	15	15" High Marker Board Divider	-	\$0	-	
	18	18" High Marker Board Divider	-	-	\$0	
3 Divider Type	MD	Marker Board Divider	\$0	\$0	\$0	
4 Divider Color	WH	White Marker Board	\$0	\$0	\$0	
	BK	Black Marker Board	\$0	\$0	\$0	
	LB	Light Blue Marker Board	\$0	\$0	\$0	
	AM	Amarena Magenta Marker Board	\$0	\$0	\$0	
	SR	Spectrum Red Marker Board	\$0	\$0	\$0	
	SB	Spectrum Blue Marker Board	\$0	\$0	\$0	
	VG	Vibrant Green Marker Board	\$0	\$0	\$0	
	FO	Fiesta Orange Marker Board	\$0	\$0	\$0	



PA-ST-2418MD-BK

Size - 24" W x 18" H
 Color - Black

List Price - \$355



PA-ST-4218MD-LB

Size - 42" W x 18" H
 Color - White

List Price - \$485

Accessories

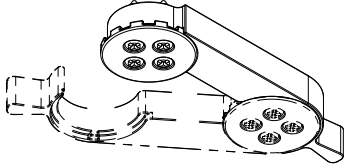
make Panther unique to you



Panther Accessories

Various

The following products are **popular and frequently ordered accessories**. The catalog number, description, specifications, color options, and list prices are all provided. Contact project management for any further information.



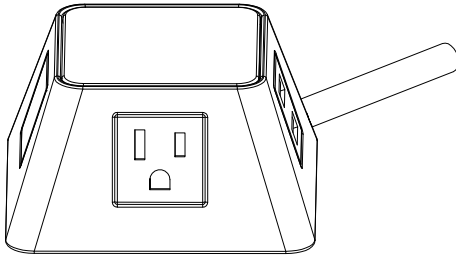
LA-TC900

"Lock" Table Connector; 1 Set

Size - 5/8" T x 2" W x 5 1/2" L

Color - Black

List Price - \$20



LA-MOT4-21B-C120

Moire (Free Standing - Table Top)

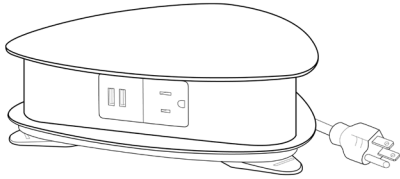
Power/Data Configuration - 2 Power; 1 USB; 1 Blank

Power Supply - 120" Cord

Finish Options - Gloss White (-W); Gloss Black (-B)

Size - 3-7/8"W x 3-7/8"L x 2"H

List Price - \$284



LA-DRI6-330-C108

Drifter (Free Standing - Table Top)

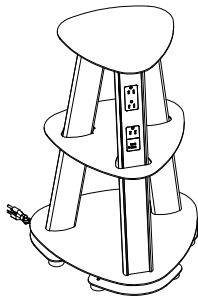
Power/Data Configuration - 3 Power; 3 USB

Power Supply - 108" Cord

Finish Options - Gloss White (-GW); Gloss Black (-GB); Silver Pearl (-S)

Size - 10"W x 10"L x 2-7/8"H

List Price - \$707



LA-ISLE-930-C108

ISLE (Free Standing - Floor Hub)

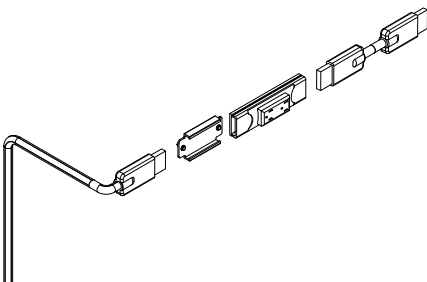
Power/Data Configuration - 9 Power; 3 USB

Power Supply - 108" Cord

Finish Options - Gloss White (-GW) Gloss Black (-GB) Silver Pearl (-S)

Size - 18"W x 18"L x 25-1/2"H

List Price - \$1,679



4TRAC

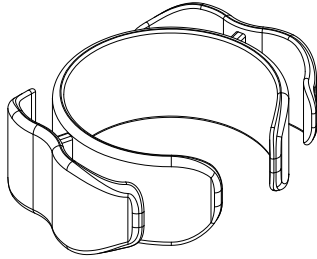
4-Trac Power Supply System

Power System - 4 wires; 2 circuits; 20 Amps each

Power Supply - Cord and hardwire power options available

Power Output - Allows up to 26 duplex receptacles (13 per circuit)

Contact Project Management for Configuration & Pricing



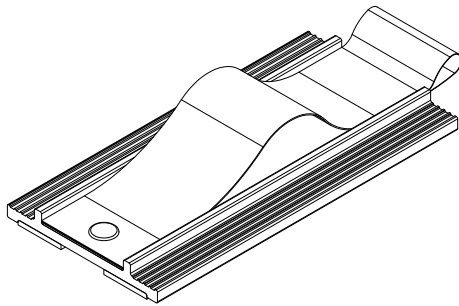
LA-WC01

Table Leg Wire Clip

Size - 1 3/16" T x 60mm D

Color - Graphite (-GF); Aluminum (-AL); Transparent (-TR)

List Price - \$13



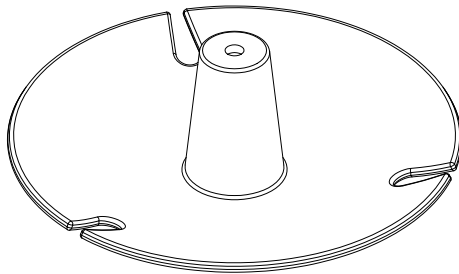
LA-WM7

VELCRO Wire Management Guide

Size - 1-3/4" x 3-1/2"

Color - Black

List Price - \$13



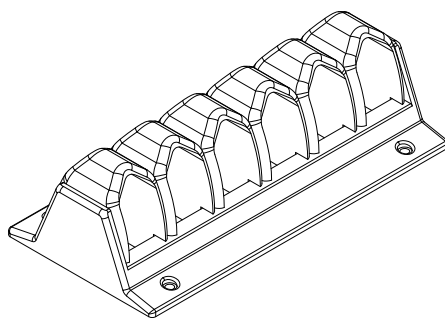
LA-WM24-90M

Under Counter Sombrero Cable Wrap

Size - 1-17/32" T x 4" Dia

Color - Black

List Price - \$20



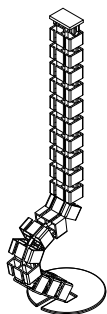
LA-WM23B-90

Cable Management Flexible Loop Guide

Size - 1-5/8" T x 2-19/32" W x 3-5/8" L

Color - Black

List Price - \$45



LA-WM16

Snake Wire Manager

Size - 31-1/8" L

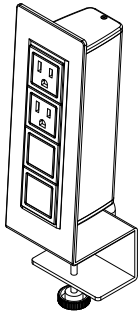
Color - Metallic Silver (-23); Black (-90)

List Price - \$160

Panther Accessories

Add-On Power & Data

The following products are **popular and frequently ordered add-on power & data accessories**. The catalog number, description, specifications, color options, and list prices are all provided. Contact project management for any further information.



LA-AXY4-202-C120

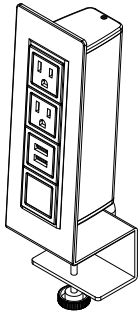
List Price - \$308

Axil Y (Edge Mount)

Power/Data Configuration - 2 Power; 2 Open Data

Power Supply - 120" Cord

Finish Options - Gloss White (-W); Gloss Black (-B); Gloss Silver (-S)



LA-AXY4-211-C120

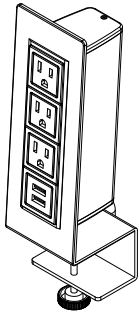
List Price - \$387

Axil Y (Edge Mount)

Power/Data Configuration - 2 Power; 1 USB; 1 Open Data

Power Supply - 120" Cord

Finish Options - Gloss White (-W); Gloss Black (-B); Gloss Silver (-S)



LA-AXY4-310-C120

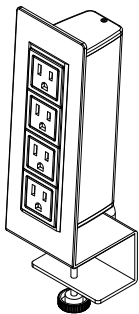
List Price - \$403

Axil Y (Edge Mount)

Power/Data Configuration - 3 Power; 1 USB

Power Supply - 120" Cord

Finish Options - Gloss White (-W); Gloss Black (-B); Gloss Silver (-S)



LA-AXY4-400-C120

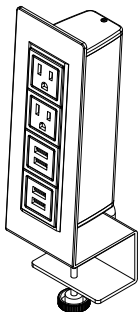
List Price - \$414

Axil Y (Edge Mount)

Power/Data Configuration - 4 Power

Power Supply - 120" Cord

Finish Options - Gloss White (-W); Gloss Black (-B); Gloss Silver (-S)



LA-AXY4-220-C120

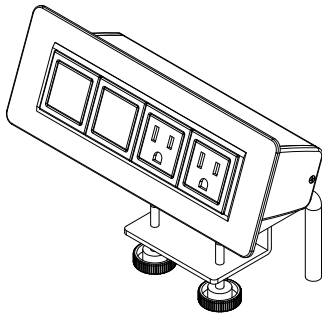
List Price - \$465

Axil Y (Edge Mount)

Power/Data Configuration - 2 Power; 2 USB

Power Supply - 120" Cord

Finish Options - Gloss White (-W); Gloss Black (-B); Gloss Silver (-S)



LA-AXX4-202-C120

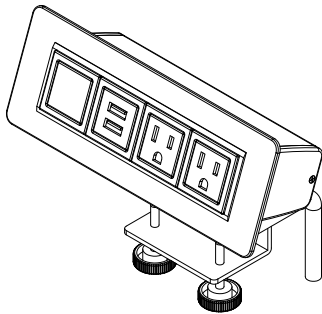
List Price - \$308

Axil X (Edge Mount)

Power/Data Configuration - 2 Power; 2 Open Data

Power Supply - 120" Cord

Finish Options - Gloss White (-W); Gloss Black (-B); Gloss Silver (-S)



LA-AXX4-211-C120

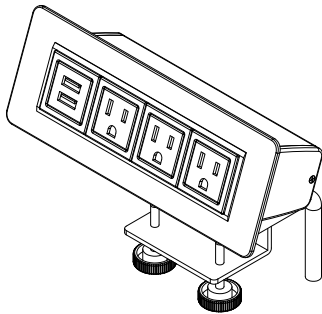
List Price - \$387

Axil X (Edge Mount)

Power/Data Configuration - 2 Power; 1 USB; 1 Open Data

Power Supply - 120" Cord

Finish Options - Gloss White (-W); Gloss Black (-B); Gloss Silver (-S)



LA-AXX4-310-C120

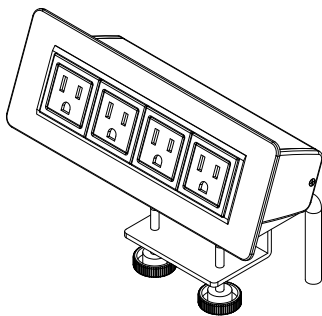
List Price - \$403

Axil X (Edge Mount)

Power/Data Configuration - 3 Power; 1 USB

Power Supply - 120" Cord

Finish Options - Gloss White (-W); Gloss Black (-B); Gloss Silver (-S)



LA-AXX4-400-C120

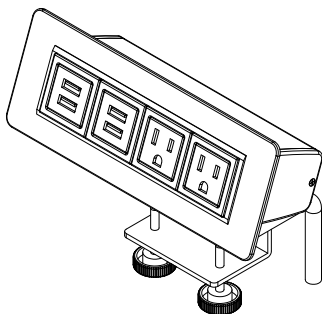
List Price - \$414

Axil X (Edge Mount)

Power/Data Configuration - 4 Power

Power Supply - 120" Cord

Finish Options - Gloss White (-W); Gloss Black (-B); Gloss Silver (-S)



LA-AXX4-220-C120

List Price - \$465

Axil X (Edge Mount)

Power/Data Configuration - 2 Power; 2 USB

Power Supply - 120" Cord

Finish Options - Gloss White (-W); Gloss Black (-B); Gloss Silver (-S)

Terms and Conditions

Panther Terms and Conditions

The following terms & conditions apply to all LIAT, LLC products.

1. ACCEPTANCE, MODIFICATION, ASSIGNMENT: By placing this order for furniture, material or other products (sometimes collectively referred to as "Goods"), Customer agrees to these Terms and Conditions which shall prevail over inconsistent provisions in any other form or document of Customer. No change or modification shall be applicable unless set forth in writing and signed by Company. Neither this order nor any interest therein shall be assigned by Customer except with the prior written consent of Company.

2. PRICING: LIAT, LLC assumes no responsibility for the quantities or the interpretation of competitive product. Pricing is based on standard LIAT furniture including standard construction, materials, finishes and sizes. Unit prices shall prevail. Pricing subject to change without notice. Prices are those in effect at the time of order entry.

3. PAYMENT: Customer agrees to pay deposit or down payment as required by Company. Customer agrees to pay to Company the amount indicated on the Invoice, 1% 15 days, net 30 days from date of Invoice (U.S. Funds only), for Goods ordered. **INTEREST WILL BE CHARGED AFTER 30 DAYS FROM THE DATE OF INVOICE AT THE RATE OF ONE AND A HALF PERCENT (1.5%) PER MONTH.** International sales will require additional payment arrangements. No Goods shall be sold on consignment or conditional sales basis. Payment for the Goods delivered hereunder shall constitute acceptance thereof.

4. DELIVERY: The specific terms of delivery are as stated on the sales order acknowledgment. Goods which are delivered in advance of schedule are delivered at the risk of Customer. The Company is not liable for delays or failure to ship due to fire, strike, act of God, the public enemy or other causes beyond the control of the Company. With respect to LIAT, LLC, all shipments which are F.O.B. Factory or Delivered, LIAT, LLC reserves the right to select the appropriate carrier. Special requests including, but not limited to, inside delivery, installation, and call before delivery are not included in the price. Any charges arising from failure to meet shipment, rerouting while in transit, or carrier storage charges are the responsibility of the Customer.

*LIAT product is shipped knocked down. Assembly in the field is required.

5. CARE AND MAINTENANCE: To maintain your LIAT product for years of use, please follow these care and maintenance guidelines:

Wood Care and Maintenance: Use a damp, lint free cotton cloth for general dusting. Work with the grain of the wood.

Laminate Tops: Laminates may be cleaned using a damp cloth and mild soap.

Marmoleum Tops: Marmoleum can be maintained by dry or wet maintenance systems. For detailed product specifications or maintenance information, contact Forbo Industries Support Services at 1-800-842-7839 or visit their website www.forbo-industries.com.

Metal Finishes: Mix a solution of liquid soap and warm water. Saturate a clean cloth with this mixture. Wipe down metal then dry completely.

Acrylic Products: Use only products specifically recommended for cleaning acrylic, or a mild solution of dish detergent and warm water. Do **NOT** use any cleaner containing ammonia to clean your acrylic products. Do **NOT** use a dry cloth or your hand to clean the acrylic - this will rub the dirt and dust into the acrylic and can scratch the surface.

Fabric Care: The ability to be cleaned will vary based on the type of fabric. For best results, a professional service is recommended. Dirt and crumbs may be gently brushed or vacuumed off. Spill should be wiped up immediately with a cloth. If upholstery has been protected with Scotchgard or Zepel, the coating should be re-applied yearly. Vinyl textiles can be cleaned with warm soapy water and then wiped down with a warm damp cloth.

6. CLAIMS. All shipments are delivered to the carrier in good condition and Company's liability ceases after acceptance by carrier. If shipment arrives short or damaged, the Customer must file a claim immediately with the carrier. In the event of concealed damage, notify carrier and request an immediate inspection. Keep all cartons and packing material. Failure to file claim within 15 days after receipt of Goods constitutes acceptance and a waiver of any such claims

7. DISCLAIMER OF WARRANTIES: The express warranties below are the Company's sole warranties of its Goods, there are no understandings, agreements, representations, or warranties, express or implied (including any regarding the merchantability or fitness for a particular purpose), not specified herein, respecting the Goods. Except for those obligations of the Company identified in these Terms and Conditions, all risks related to the quality and performance of the Goods and responsibility for repair or service costs rests solely on the Customer. Company reserves the right to limit the applicable warranty to the Goods depending upon the division or catalogue through which said Goods were sold. Some states do not allow limitations on implied warranties, limitations on how long an implied warranty lasts, or the exclusion or limitation of incidental or consequential damages, so the above limitations may not apply to all Customers. This warranty gives the Customer specific legal rights, and each Customer may also have other rights which vary from state to state.

8. EXPRESS WARRANTIES: *The express warranties of the Company are as follows:*

LIAT, LLC

LIAT, LLC WARRANTS TO THE ORIGINAL PURCHASER THAT EACH CASEGOOD WILL BE FREE FROM DEFECTS IN WORKMANSHIP GIVEN NORMAL USE FOR A PERIOD OF TWENTY (20) YEARS OF SINGLE SHIFT SERVICE. LIAT WARRANTS THEIR SEATING PRODUCTS TO THE ORIGINAL PURCHASER THAT EACH PIECE OF FURNITURE WILL BE FREE FROM DEFECTS GIVEN NORMAL USE FOR FIVE (5) YEARS. LIAT, LLC WILL, AT ITS OPTION, REPAIR OR REPLACE ANY DEFECTIVE FURNITURE WITHIN THE TERMS OF THE WARRANTY. THIS WARRANTY DOES NOT APPLY TO DAMAGE RESULTING FROM ACCIDENT, ALTERATION, OR MISUSE. ALL LIAT ELECTRICAL COMPONENTS AND ACCESSORIES ARE WARRANTED TO THE EXTENT OF THE ORIGINAL MANUFACTURER.

Goods other than furniture are sold by Company to Customer without warranty.

9. ATTORNEYS' FEES: Customer shall be responsible for all expenses and costs in connection with the enforcement by Company of these Terms and Conditions and the costs of collection (including the fees of any collection agencies to whom the Customer's account may be referred), plus reasonable attorneys' fees (which attorneys' fees shall not be less than 25% of the amount due, unless a lower amount is specified by applicable law).

10. CANCELLATION: All cancellations must be made in writing. Administrative and/or labor charges may be incurred by the Customer depending upon the production stage of the order. Orders specifying special finish cannot be cancelled once finishing has begun. Cancellations cannot be accepted once final production has begun.

11. ORDER CHANGES: All changes to an order must be made in writing and are subject to Company's ability to conform. Administrative and/or labor charges may be incurred by the Customer depending upon the production stage of the order. Once final production has begun, no changes can be accepted.

12. REMEDIES: The remedies herein reserved shall be cumulative, and additional to any other or further remedies provided in law or equity. No waiver of a breach of any provision of these Terms and Conditions shall constitute waiver of any other breach or of such provision.

13. INSOLVENCY: Company may forthwith cancel this order in the event of the happening of any of the following or any other comparable event: insolvency of the Customer, the filing of a voluntary petition in bankruptcy, the filing of any involuntary petition to have Customer declared bankrupt provided it is not vacated within thirty (30) days from the date of filing, the appointment of a receiver or trustee for Customer provided such appointment is not vacated within thirty (30) days from the date of such appointment, or the execution by Customer of an assignment for the benefit of creditors.

14. LIMITATION OF LIABILITY: The Company shall not under any circumstances be liable to the Customer, owner of the Goods or any third party for special, indirect, incidental, or consequential damages, including, without limitation, loss of profits or revenues, loss or damage to other property or equipment, cost of capital or of purchased or replacement goods, or expense, delay or inconvenience caused by or arising from the purchase, sale, use, repair or inability to use the Goods or by any performance or non-performance under, or breach of, these Terms and Conditions. The Company's sole liability for any defective Goods shall be its repair or its replacement pursuant to the Express Warranties set forth above, or if amended, as applicable at the time of manufacture or repair of the Goods. Some states do not allow the exclusion or limitation of incidental or consequential damages, so the above limitations or exclusion may not apply to all Customers. Any action resulting from any breach on the part of Company as to the Goods or services delivered hereunder must be commenced within one year after the cause of action has occurred.

15. RETURNS AND ALLOWANCES: Reasonable touch-up and deluxing is the dealer's responsibility. The Company will not make allowances for trip or delivery charges, but will only make allowance for actual work performed to correct manufacturing defects. Allowances may be authorized only by a Company officer. It is the responsibility of the field sales representatives to inspect any defective merchandise and make suggestions and recommendations as to the proper disposition. Field personnel cannot obligate or bind the Company by definite agreement, without final authorization by a Company officer. Company will not accept automatic charge backs which do not have prior authorization. All defects must be called to the Company's attention upon arrival at the Customer's "Ship To" destination. To initiate any type of claim or request for parts, it is imperative to have the model number or fabric number, which may be located on the tag attached to the frame of the unit. Authorization for return to the Company for any reason must be issued by the Company via a Return Goods Authorization. Any authorized returns not due to damage or defect will be assessed a 30% restocking charge and all return freight charges must be prepaid. Company will not issue credit allowances for any repairs without Company's prior consent. Under no circumstances shall the Company accept COD (Cash on Delivery) returns, and any such shipment will be refused.

16. SECURITY AGREEMENT: The Company may require and Customer shall grant a security interest in Goods sold pursuant to any credit the Company may extend to the Customer.

17. GOVERNING LAW: All disputes between the parties, whether or not arising out of these Terms and Conditions, will be governed by the laws of the State of North Carolina. Customer agrees to submit to the jurisdiction of and agrees all lawsuits relating to any disputes between the Customer and the Company will be brought only in a state court located in Dubois County, North Carolina or the United States District Court for the Southern District of

North Carolina. THE CUSTOMER HEREBY WAIVES THE RIGHT TO A TRIAL BY JURY IN ANY ACTION, PROCEEDING, CLAIM, OR COUNTERCLAIM WHETHER IN CONTRACT OR TORT, AT LAW OR IN EQUITY, ARISING OUT OF OR RELATING IN ANY WAY TO THESE TERMS AND CONDITIONS AND ALL OTHER DISPUTES BETWEEN THE PARTIES.

18. MITIGATION: If the Company repossesses the Goods prior to payment by the Customer of all amounts due hereunder, the Company may sell the Goods, AS IS, WHERE IS, free and clear of all rights of the Customer at either public or private sale, and apply the net proceeds (after deducting expenses of repossession and sale) to the obligation of Customer hereunder. The Customer shall remain liable for any deficiency. THE COMPANY MAY DISPOSE OF THE GOODS IN ANY COMMERCIALY REASONABLE PLACE AND MANNER AND THE CUSTOMER WAIVES ANY NOTICE OF TIME, PLACE AND MANNER OF SALE.

19. INTEGRATION: This order for Goods, including these Terms and Conditions, along with any Credit Application, Invoice, Statement, Dealer Contract, Acknowledgment, Bill of Lading (and any exhibits, addenda or amendments thereto) of which this order may be a part, constitutes the sole and complete agreement between the Company and the Customer with respect to the purchase of the Goods.

20. DIMENSIONS/SPECIFICATIONS/FINISHES: All dimensions are approximate and may vary due to the upholstery technique of each craftsman. If exact dimensions are required, it is necessary for the Customer to state such specifications with the order. Detailed specification sheets are available for each series of Goods, and Customer should consult the Company's Customer Service Department for these specification sheets. Company reserves the right to make changes in dimensions, style, or specifications if Company believes these changes will improve the Goods' quality or appearance. Company reserves the right to substitute hardwoods due to availability at production. Due to the natural characteristics of wood, environmental effects, and material upgrades, the Company cannot guarantee exact finish matches on existing Goods previously ordered from Company. If an exact match to Customer's existing Goods are required, it must be specified so that the proper procedures can be followed to ensure an acceptable finish. Company will accept no liability for the finish if this procedure is not followed. Company reserves the right to make changes in a finish formula if Company believes the change will improve the quality or appearance of Company's Goods.

21. ACKNOWLEDGEMENT: All orders will be acknowledged promptly, showing how the order was entered, the approximate shipping time and other pertinent information. It is the Customer's obligation to examine this acknowledgment carefully and notify Company immediately of any discrepancies. Every reasonable effort is made to ship as acknowledged, however, the acknowledged ship date is approximate. Company will generally ship within five (5) working days of the acknowledged ship date. If a firm ship date is necessary, Customer must inform Company at time of order and Company will make all reasonable efforts to meet each Customer's request. Acknowledged shipping dates are contingent upon the force majeure conditions contained in these Terms and Conditions.

22. COMPANY'S PERFORMANCE OF ITS OBLIGATIONS: The production and delivery of the Goods to the extent delayed or hindered or prevented from the performance by reason of natural disasters, acts of God, strikes, lockouts, labor troubles, inability to procure materials, casualties, failure of power, restrictive governmental laws or regulations, riots, insurrection, acts of terrorism, war or other reason of a like nature not the fault of the Company shall excuse for the period of the delay the Company's performance and the period for the performance shall be extended for a period equivalent to the period of such delay.

GSA Terms and Conditions

Contractor: LIAT LLC, dba Jasper Library Furniture
Business Size: Small Business
Cage Code: 6BHB5
Contract Number: GS-28F-004AA
Contract Period: 10/10/12 thru 10/09/17

694 North Main Street
Troutman, NC 28166
Phone: 888.440.8205
Fax: 704.528.6519
Web Site: www.liatfurniture.com
E-mail: blish@liatfurniture.com
Contract Administration: Brian Lish

- 1a. Item Description: Furniture Systems and Workstation Clusters Special Item Numbers (SIN) Awarded: SIN 71-305 Library Furniture
2. Maximum Order: \$100,000.00 net
3. Minimum Order: \$100.00 net
4. Geographic Coverage: 48 Contiguous States, including the District of Columbia, Alaska, Hawaii, and Puerto Rico.
5. Point of Production: Same as company address
6. Discount: 58.5% off of list price (inclusive of IFF)
7. Quantity Discounts: None
8. Prompt Payment Terms: 1% discount for payments received in less than 20 days.
- 9a. Government Commercial Credit Card: Government commercial credit cards (Visa & MC) are not accepted.
- 9b. Discount for Government Credit Card: N/A
10. Foreign Items: None
- 11a. Time of Delivery: 6 to 8 weeks.
- 11b. Expedited Delivery: Negotiated on an order by order basis.
- 11c. Overnight and 2-Day Delivery: Contact contractor for availability and additional shipping charges.
- 11d. Urgent Requirements: Available upon request.
12. F.O.B Point: Destination

- 13a. Ordering Address: Same as Contractor
- 14. Payment Address: Same as company address.
- 15. Warranty Provisions: LIAT warrants their casegoods to the original purchaser that each piece of furniture will be free from defects in workmanship given normal use for a period of twenty years. LIAT will, at its option, repair or replace any defective merchandise within the terms of the warranty. LIAT warrants their seating products to the original purchaser that each piece of furniture will be free from defects in workmanship given normal use for five years. The casegoods and seating warranties do not apply to damage resulting from accident, alteration, or misuse. All LIAT electrical components and accessories are warranted to the extent of the original manufacturer.
- 16. Export Packing Charges: N/A
- 17. Terms and Conditions of Government Commercial Credit Card Acceptance: N/A
- 18. Terms and Conditions of rental, maintenance, and repair: N/A
- 19. Terms and Conditions of Installation: Negotiated on a case by case basis with the participating dealer.
- 20. Terms and Conditions of Repair Parts: N/A
- 21. List of Service and Distribution Points: N/A
- 22. Participating Dealer: Contact LIAT for a list of participants.
- 23. Preventative Maintenance: N/A
- 24a. Environmental Attributes: N/A
- 25. Data Universal Numbering System (DUNS) number: 038281451
- 26: Notification regarding registration in Central Registration (CCR) database: Registered

LIAT 

design the furniture. *innovate* the space. *engage* the users.

liatfurniture.com

694 North Main Street · Troutman, NC 28166
TF 888 440 8205 · F 704 528 6519